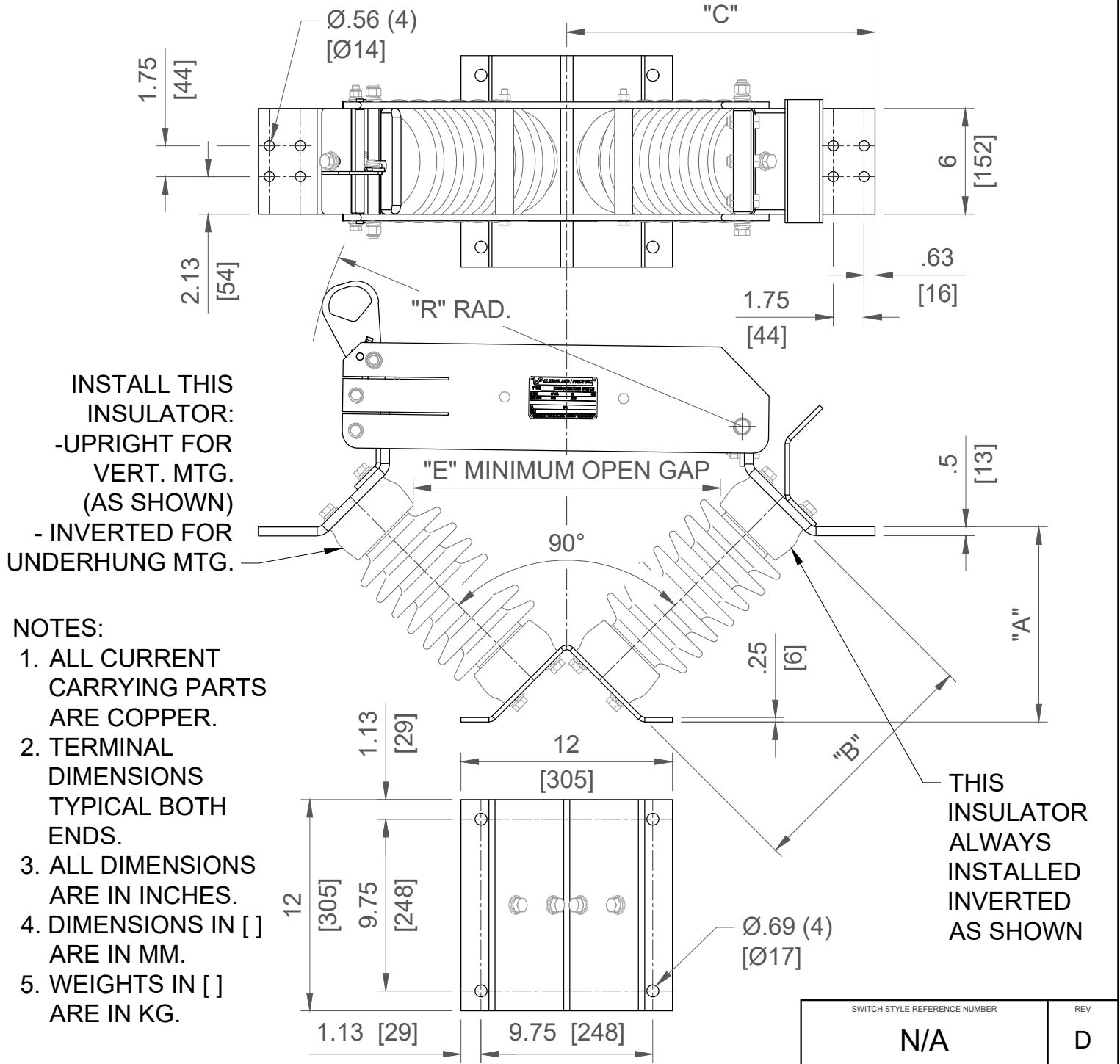


| GROUP NO. | RATINGS |         |        |      |         | POST INSUL NEMA TR# | DIMENSIONS     |              |                |             |                | WEIGHT/POLE (INCL. INSUL.) |        |
|-----------|---------|---------|--------|------|---------|---------------------|----------------|--------------|----------------|-------------|----------------|----------------------------|--------|
|           | kV NOM. | kV MAX. | kV BIL | AMPS | kA MOM. |                     | "A"            | "B"          | "C"            | "E"         | "R"            | LBS                        | KG     |
| G01       | 7.2     | 8.3     | 95     | 3000 | 120     | 202                 | 6.41<br>[163]  | 7.5<br>[191] | 13.03<br>[331] | 7<br>[178]  | 16<br>[406]    | 100                        | [45.4] |
| G02       | 14.4    | 15.5    | 110    |      |         | 205                 | 8.17<br>[208]  | 10<br>[254]  | 14.8<br>[376]  | 10<br>[254] | 19.44<br>[494] | 119                        | [54]   |
| G03       | 23      | 27      | 150    |      |         | 208                 | 11<br>[279]    | 14<br>[356]  | 17.63<br>[448] | 12<br>[305] | 25<br>[635]    | 147                        | [66.7] |
| G04       | 34.5    | 38      | 200    |      |         | 210                 | 13.83<br>[351] | 18<br>[457]  | 20.45<br>[520] | 18<br>[457] | 30.64<br>[778] | 177                        | [80.4] |



|   |             |                               |     |
|---|-------------|-------------------------------|-----|
| <b>Cleaveland/Price Inc.</b> 1400 Rt. 993 Trafford, PA 15085-9550 |             | SWITCH STYLE REFERENCE NUMBER | REV |
|   |             | N/A                           | D   |
| DRAWN   | DATE        | VERSION                       |     |
| TT  | 10/31/2003  | 1                             |     |
| CHECKED   | DRAWING NO. |                               |     |
| LAB   | C08A011     |                               |     |
| APPROVED  |             |                               |     |

LCO-S COPPER HOOKSTICK OPERATED DISCONNECT SWITCH  
 7.2-34.5kV, 3000A WITH 3" B.C.INSULATORS