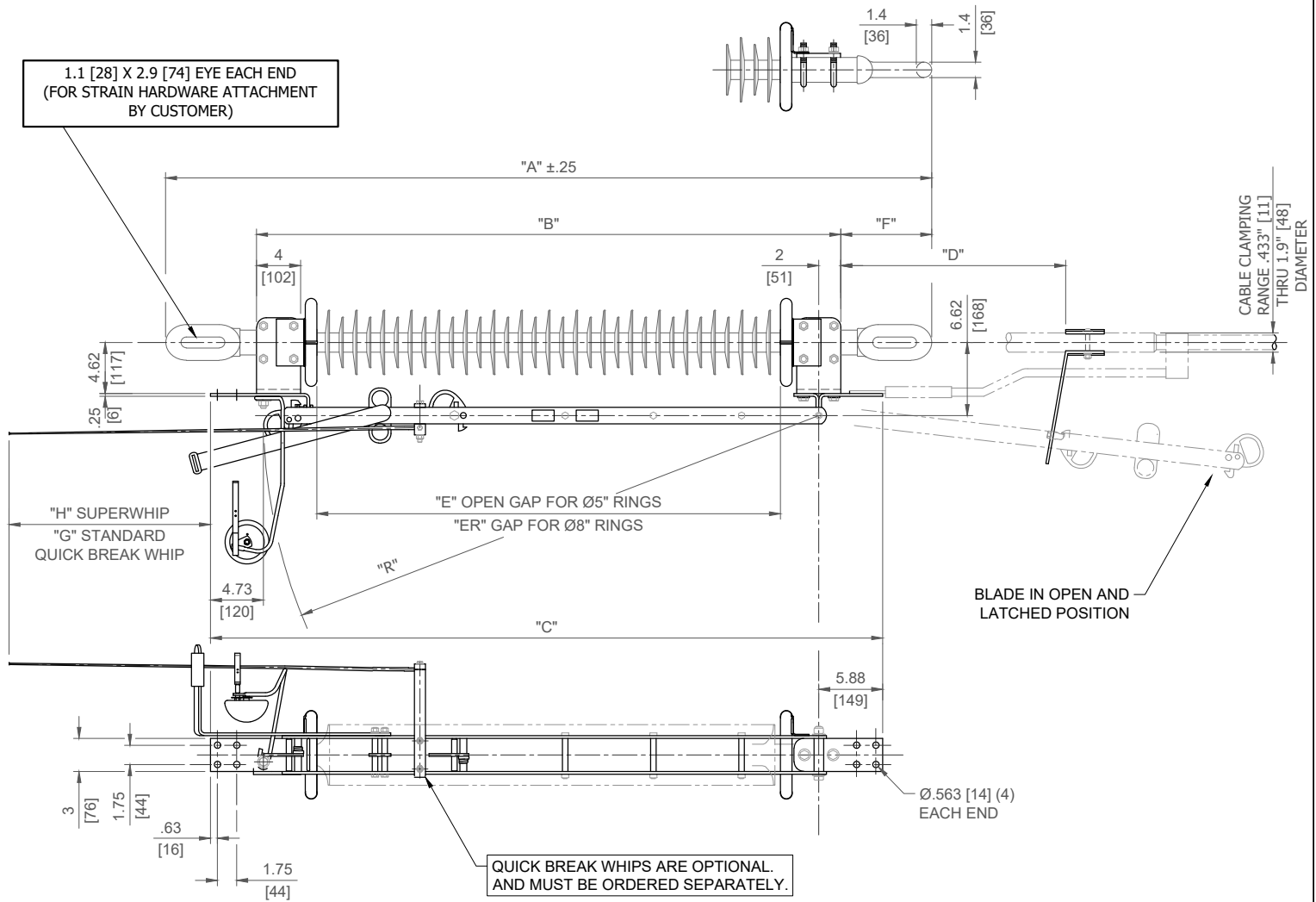


GROUP	RATINGS							DIMENSIONS IN INCHES MILLIMETERS SHOWN IN [ ]										WEIGHT/POLE (INCL. INSUL.)	
	kV NOM.	kV MAX.	kV BIL	AMPS	kA NOM.	kA PEAK	CRITICAL FLASH OVER	"A"	"B"	"C"	"D"	"E"	"ER"	"F"	"G"	"H"	"R"	LBS.	KG.
	G01	69	72.5	350	1200	61	99	435kV (POS)	50.4 [1280]	37.6 [955]	45.25 [1149]	17 [431]	27.25 [692]	25.66 [652]	6.4 [163]	21.13 [537]	23.13 [588]	34.75 [883]	54
G02	115	123	550	1200	61	99	672kV (POS)	64.6 [1641]	53 [1346]	60.63 [1540]	30.18 [766]	42.38 [1076]	40.56 [1030]	5.8 [147]	19.13 [486]	21.13 [537]	50.25 [1276]	64	29
G03	138	145	650	1200	61	99	813kV (POS)	75.2 [1910]	62.2 [1580]	69.83 [1774]	39.31 [998]	51.62 [1311]	50.30 [1278]	6.5 [165]	25.13 [638]	31.63 [803]	59.5 [1511]	70	31.8
G04	161	170	750	1200	61	99	937kV (POS)	83.5 [2121]	70.4 [1788]	78 [1981]	47.62 [1209]	60.63 [1540]	59.06 [1503]	6.55 [166]	25.13 [638]	31.63 [803]	67.65 [1718]	81	36.7

MAX. WORKING LOAD - 25,000 LBS ALL RATINGS



**NOTES:**

1. ALL DIMENSIONS ARE IN INCHES.  
DIMENSIONS IN [ ] ARE IN mm.

*Cleaveland/Price Inc. 1400 Rt. 993 Trafford, PA 15085-9550*

**ILO-C COPPER IN-LINE DISCONNECT SWITCH HOOKSTICK OPERATED  
69 thru 161kV, 1200A, 61kA MOM, NGK INSULATORS**

SWITCH STYLE REFERENCE NUMBER		REV
-		J
DRAWN	DATE	VERSION
JPB	07/18/2008	1
CHECKED	DRAWING NO.	
LAB	<b>C02A520</b>	
APPROVED		