

The LCO-S is a "V" configuration hookstick operated disconnect switch for substation applications. The switch base is available in several configurations to adapt to various mounting surfaces.

The Cleveland/Price Advantage

Design Advantages

- Total non-cast construction results in superior dependability of parts.
- Line contacts work with electromagnetic forces during short circuit, resulting in superior performance.
- High pressure line contacts at the hinge and jaw establish effective current transfer while reducing operating force and extending contact life.
- True wiping action at the break-jaw keeps contacts clean for years of reliable service.
- Blade guide on break-jaw allows closing of the switch despite lateral push on the blade.
- Location of the contact springs in relation to the break-jaw results in increased spring force during short circuit conditions.
- Blade pry-out action facilitates easy ice breaking.
- Location of the blade latch in relation to the latch catch results in increased latch engagement force during short circuit or when wind and ice loads increase conductor pull.

Material Selection

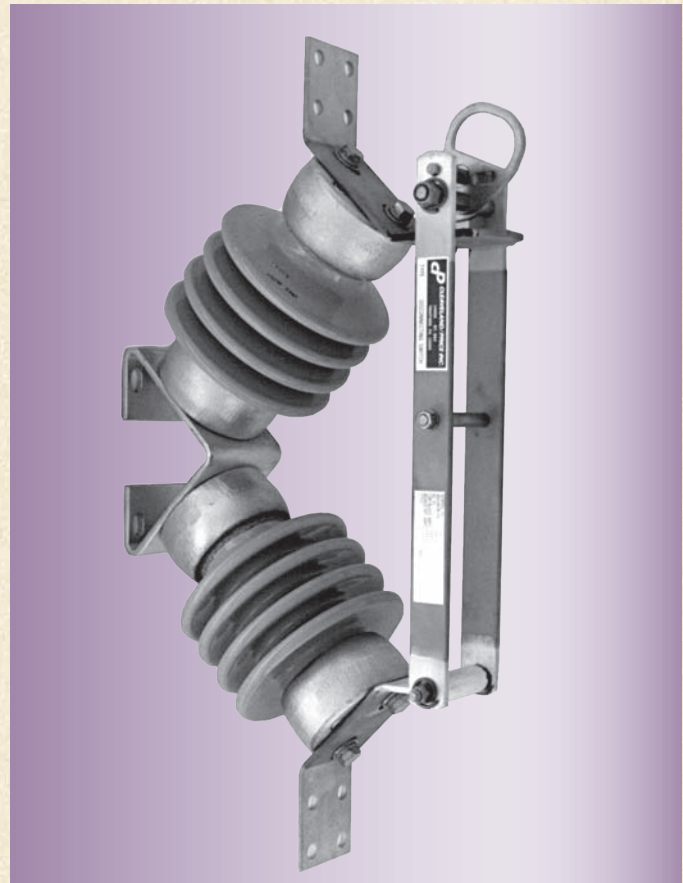
- Hard-drawn high conductivity copper produces stronger, more conductive live components than parts made of cast materials.
- Silver plated contacts on both the stationary and moving parts give efficient current transfer for the life of the switch.
- Non-cast hookeye will not crack or break, eliminating the need to stock hookeyes and reducing costly downtime.
- Stainless steel contact springs and latch spring are made from highly corrosion resistant type 316 stainless steel.
- Heavy-duty latch spring delivers substantial return force for the life of the switch.
- The steel base is galvanized after fabrication.

Optional Features

- 90° blade stop
- Special mounting base

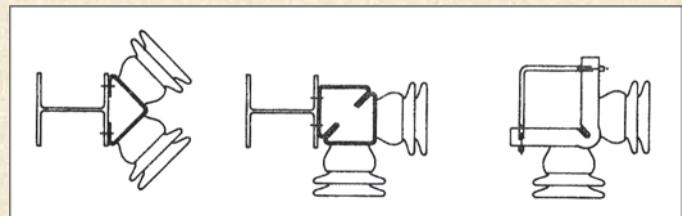
Switch Type: LCO-S

Ratings: 7.2 kV - 69 kV
600 A. - 2000 A.



15kV, 1200 A, LCO-S

Mounting Arrangements



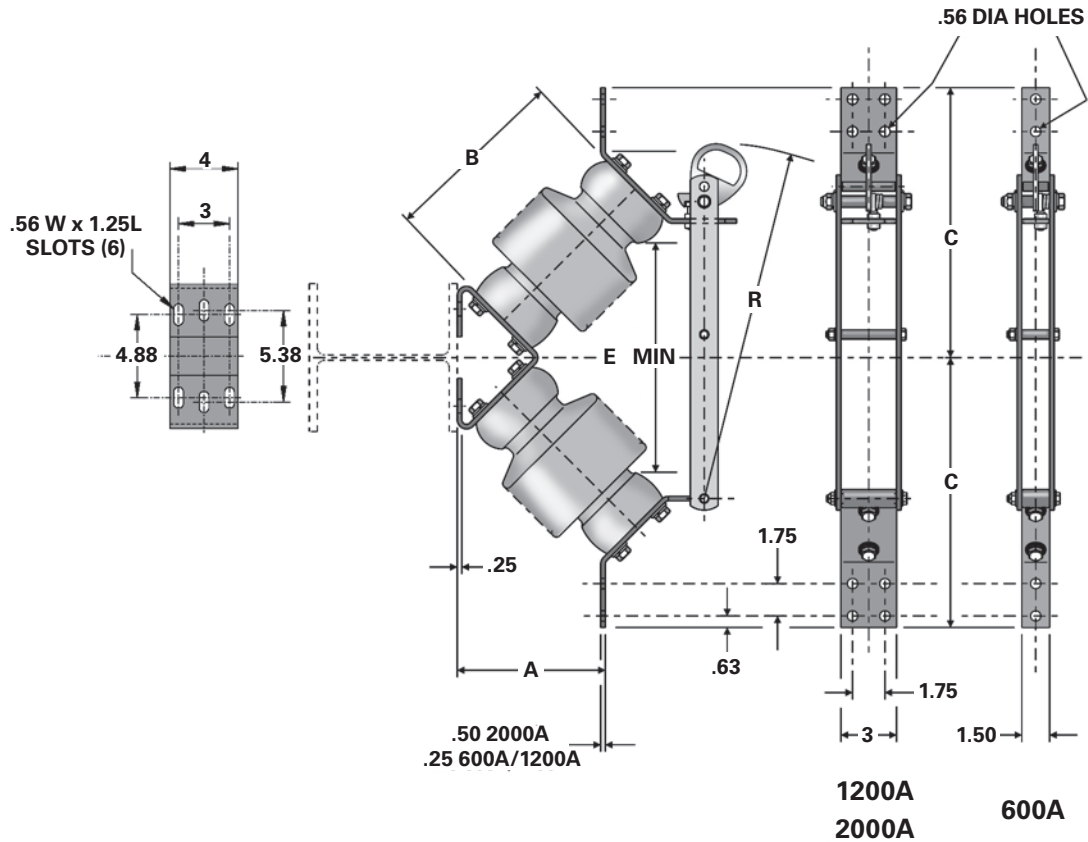
CLEVELAND/PRICE INC.

14000 Rt. 993, Trafford, PA 15085 (724) 864-4177

FAX (724) 864-9040

E-mail: sales@cleavelandprice.com

Type LCO-S Switch



Ratings					Ins. TR No.	Switch Style Number	Dimensions in Inches					Wt. Lbs/Pole
kV Nom.	kV Max.	kV BIL	Amp.	Mom. kA			A	B	C	E	R	
7.2	8.3	95	600	40	202	C108A030G01	6.69	7.50	12.69	7	C108A030G02	15.75
			1200	61		C108A030G03					16.13	
			2000	100		C108A030G04						
14.4	15.5	110	600	40	205	C108A030G05	8.50	10.00	14.56	10	C108A030G06	19.94
			1200	61		C108A030G07					20.13	
			2000	100		C108A030G08						
23	27	150	600	40	208	C108A030G09	11.31	14.00	17.38	12	C108A030G10	24.94
			1200	61		C108A030G11					25.31	
			2000	100		C108A030G12						
34.5	38	200	600	40	210	C108A030G13	14.13	18.00	20.19	18	C108A030G14	30.56
			1200	61		C108A030G15					30.94	
			2000	100		C108A030G16						
46	48.3	250	600	40	214	C108A030G17	16.94	22.00	23.03	22	C108A030G18	36.25
			1200	61		C108A030G19					36.63	
			2000	100		C108A030G20						
69	72.5	350	600	40	216	C108A030G21	22.63	30.00	28.69	32	C108A030G22	47.56
			1200	61		C108A030G23					47.94	
			2000	100		C108A030G24						

This brochure describes a standard product and does not show variations in design that may be available. Contact the factory for additional details.

Cleveland/Price reserves the right to make changes or improvements to the product shown in this brochure without notice or obligation.