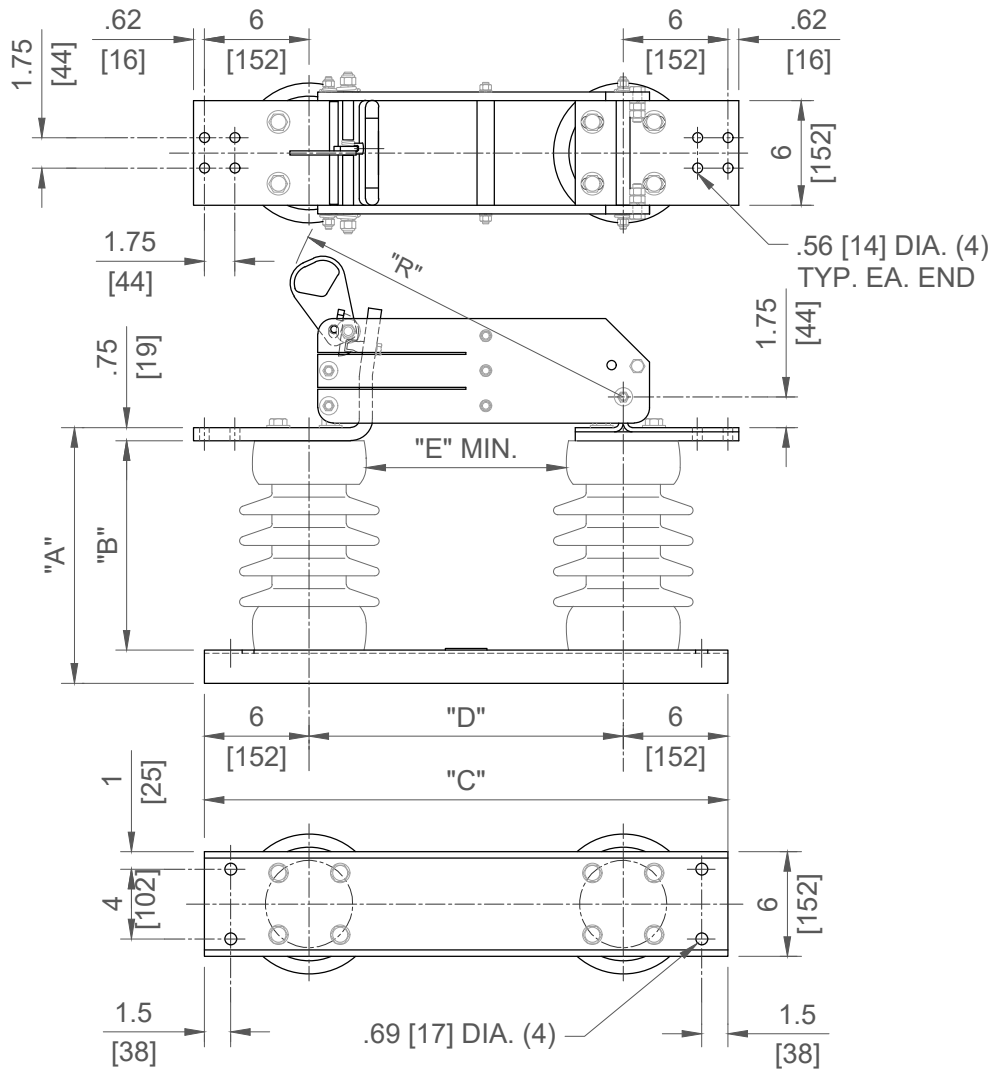


GROUP NO.	RATINGS					POST INSUL NEMA TR#	DIMENSIONS IN INCHES MILLIMETERS SHOWN IN ITALICS						WEIGHT/POLE (INCL. INSUL.)	
	kV NOM.	kV MAX.	kV BIL	AMPS	kA MOM.		"A"	"B"	"C"	"D"	"E"	"R"	LBS	Kg
	G001	7.2	8.3	95	4000		120	222	12.65 [321]	10 [254]	30 [762]	18 [457]	7 [178]	20.25 [514]
G002	14.4	15.5	110	4000	120	225	14.65 [372]	12 [305]	30 [762]	18 [457]	10 [254]	20.25 [514]	190	[83.3]
G003	23	27	150	4000	120	227	17.65 [448]	15 [381]	39 [991]	27 [686]	12 [305]	29.25 [743]	222	[100.8]
G004	34.5	38	200	4000	120	231	22.65 [575]	20 [508]	39 [991]	27 [686]	18 [457]	29.25 [743]	268	[121.7]



NOTES:

1. INSULATORS INVERTED FOR UNDERHUNG MOUNTING.
2. ALL DIMENSIONS ARE IN INCHES.
3. DIMENSIONS IN [ ] ARE IN mm.
4. WEIGHTS IN [ ] ARE IN KG.

REVISION								
	REV	VERSION	DRAWN	CHECKED	APPROVED	DATE	SHEET	SCALE
	E	1	JKA	PMK		08/01/1990	1 OF 1	PROPORTIONAL
LCO-C COPPER HOOKS/TICK OPERATED DISCONNECT SWITCH 7.2kV-34.5kV: 4000A WITH 5" B.C. INSULATORS								DWG NO. <b>C102A258</b>