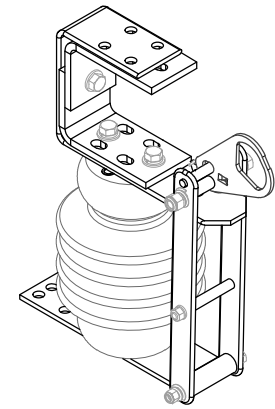


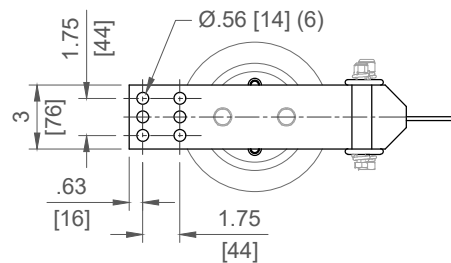
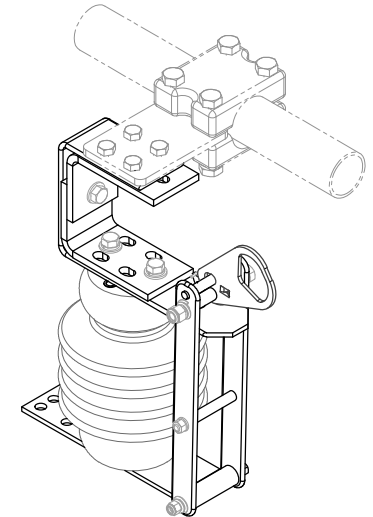
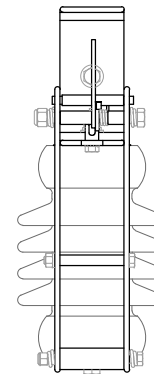
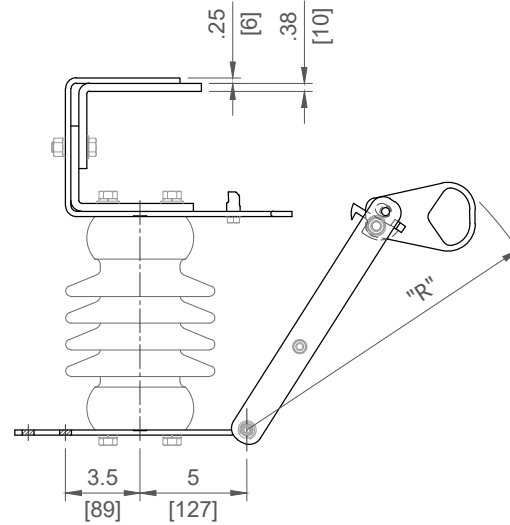
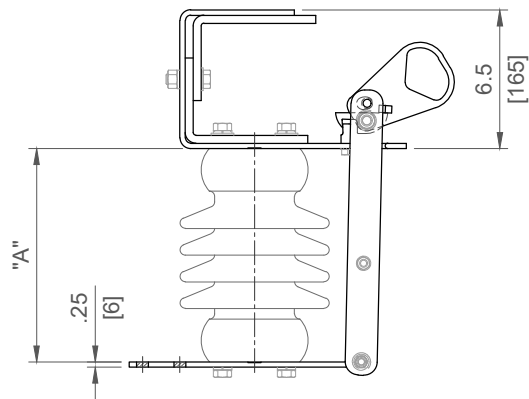
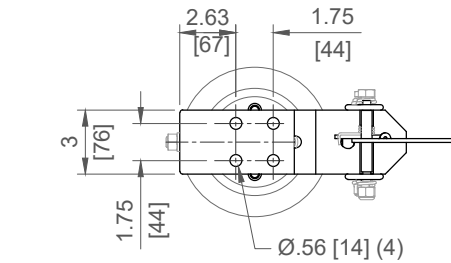
GROUP	KV NOM.	KV MAX	KV BIL.	AMPS	KA MOM	"A"	"R"	INSULATOR	WEIGHT lbs. & (kg)
G01	7.2	8.25	95	1200	61	7.5 [191]	12.75 [324]	TR-202	30.8 (13.9)
G02	14.4	15.5	110			10 [254]	15.25 [387]	TR-205	38.4 (17.4)
G03	23	25.8	150			14 [356]	19.25 [489]	TR-208	49.4 (22.4)
G04	34.5	38	200			18 [457]	23.25 [591]	TR-210	61.4 (27.9)



ISOMETRIC VIEWS

NOTES:

1. ALL CURRENT CARRYING PARTS ARE COPPER
2. SILVER PLATED CONTACTS
3. ALL DIMENSIONS ARE IN INCHES, DIMENSIONS SHOWN IN [] ARE MM.



 Cleaveland/Price Inc.									
REV C	VERSION 1	DRAWN MES	CHECKED PMK	APPROVED	DATE 06/19/2002	SHEET 1 OF 1	SCALE PROPORTIONAL		
HBT HANGING BUS TAP DISCONNECT SWITCH 7.2-34.5kV 1200A 3" BC INSULATORS HOOKSTICK OPERATED							DWG NO. C02A149		