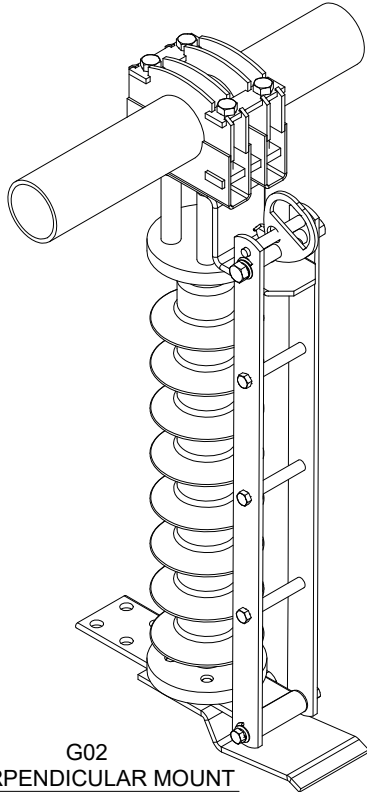
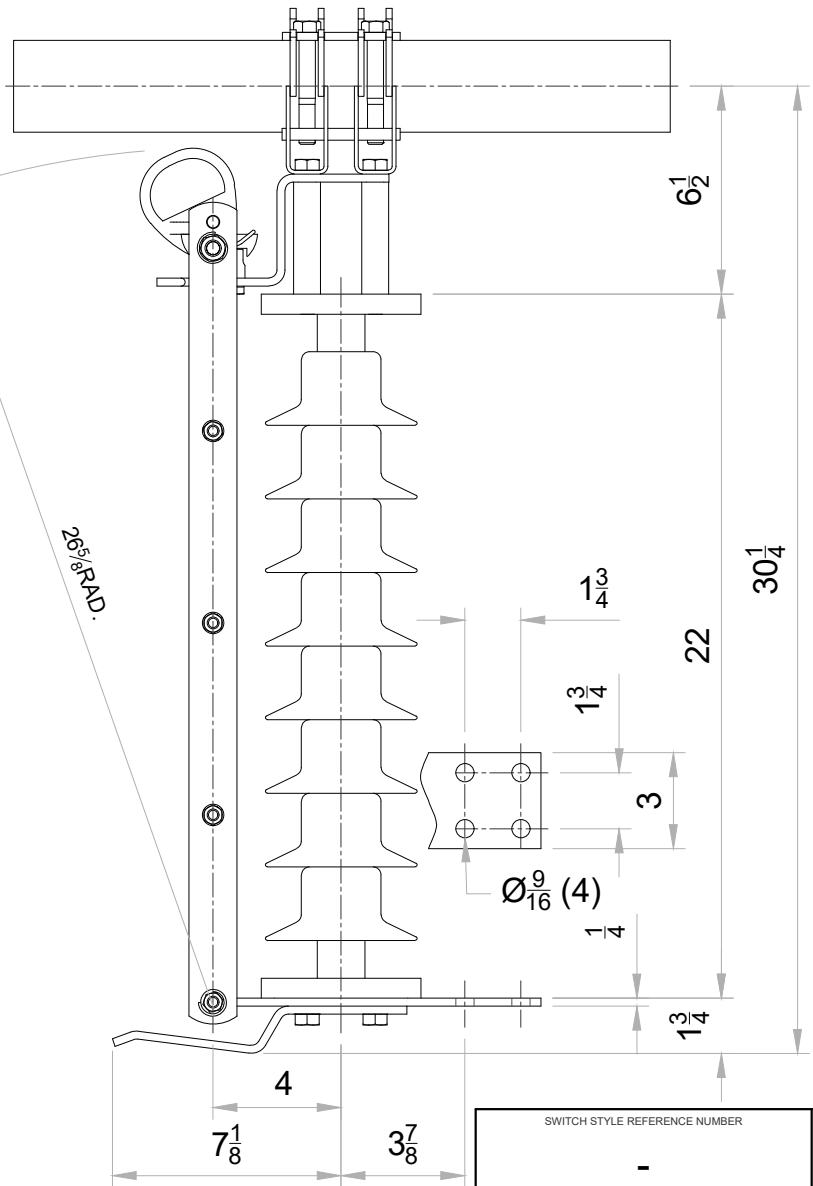


G01  
PARALLEL MOUNT



G02  
PERPENDICULAR MOUNT



kV NOM.	46
kV MAX.	48.3
kV BIL	250
AMPS	1200
MOM. kA	61
WT./POLE	62 lbs.

NOTE: FOR PARALLEL MOUNT OR PERPENDICULAR MOUNT ORDER G01 OR G02 RESPECTIVELY

SWITCH STYLE REFERENCE NUMBER		REV
-		A
DRAWN	DATE	VERSION
RWS	11/09/2009	1
CHECKED	DRAWING NO.	
PMK	C02A615	
APPROVED		
-		

Cleaveland/Price Inc. 14000 Rt. 993 Trafford, PA 15085-9550

HBT-C COPPER HOOKSTICK OPER. DISC. SWITCH  
46KV, 1200A, 3" B.C. INSUL.