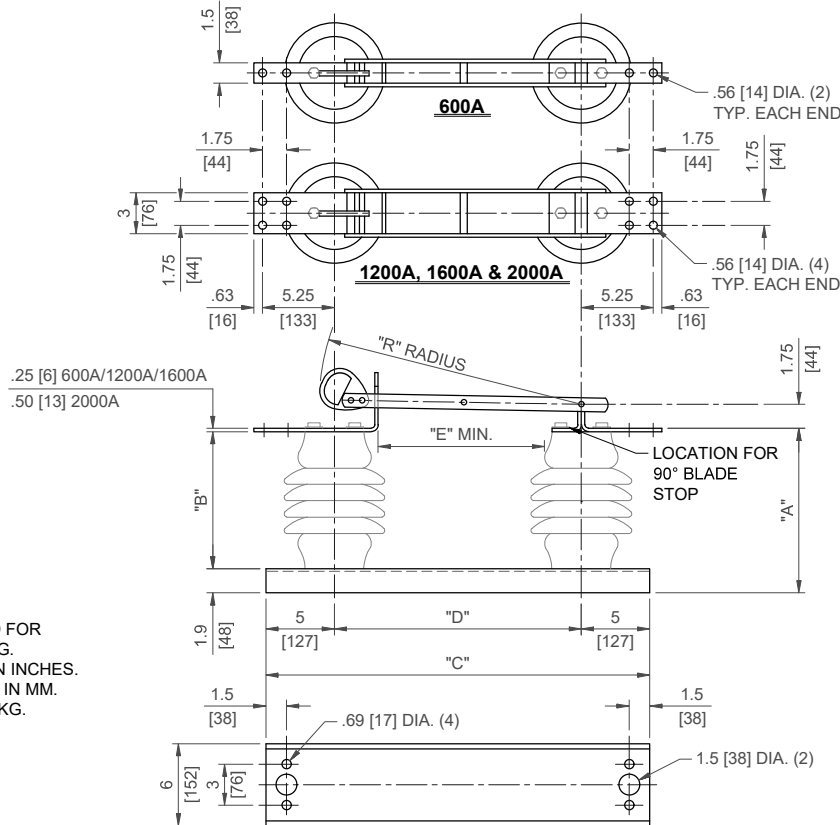


| GROUP NO. | RATINGS | | | | | POST INSUL NEMA TR# | DIMENSIONS IN INCHES MILLIMETERS SHOWN IN [] | | | | | | WEIGHT/POLE (INCL. INSUL.) | |
|-------------------|---------|---------|--------|------|---------|---------------------|--|---------------|--------------|--------------|-------------|--------------|----------------------------|---------|
| | kV NOM. | kV MAX. | kV BIL | AMPS | KA MOM. | | "A" | "B" | "C" | "D" | "E" | "R" | LBS | Kg |
| G01 G02 G03 | 7.2 | 8.3 | 95 | 600 | 40 | 202 | 9.65 [245] | 7.50 [191] | 25 [635] | 15 [381] | 7 [178] | 17 [432] | 50 | [22.7] |
| 1200 | | | | 61 | 57 | | [25.9] | | | | | | | |
| 2000 | | | | 100 | 64 | | [29.1] | | | | | | | |
| G04 G05 G06 | 14.4 | 15.5 | 110 | 600 | 40 | 205 | 12.15 [308] | 10 [254] | 25 [635] | 15 [381] | 10 [254] | 17 [432] | 62 | [28.1] |
| 1200 | | | | 61 | 69 | | [31.3] | | | | | | | |
| 2000 | | | | 100 | 77 | | [35.0] | | | | | | | |
| G07 G08 G09 | 23 | 27 | 150 | 600 | 40 | 208 | 16.15 [410] | 14 [356] | 28 [711] | 18 [457] | 12 [305] | 20 [508] | 92 | [41.8] |
| 1200 | | | | 61 | 97 | | [44.0] | | | | | | | |
| 2000 | | | | 100 | 104 | | [47.2] | | | | | | | |
| G10 G11 G12 | 34.5 | 38 | 200 | 600 | 40 | 210 | 20.15 [512] | 18 [457] | 34 [864] | 24 [610] | 18 [457] | 26 [660] | 107 | [48.6] |
| 1200 | | | | 61 | 110 | | [49.9] | | | | | | | |
| 2000 | | | | 100 | 121 | | [54.9] | | | | | | | |
| G13 G14 G15 | 46 | 48.3 | 250 | 600 | 40 | 214 | 24.15 [613] | 22 [559] | 40 [1016] | 30 [762] | 22 [559] | 32 [813] | 166 | [75.3] |
| 1200 | | | | 61 | 172 | | [78.0] | | | | | | | |
| 2000 | | | | 100 | 182 | | [82.6] | | | | | | | |
| G16 G17 G18 | 69 | 72.5 | 350 | 600 | 40 | 216 | 32.15 [817] | 30 [762] | 52 [1321] | 42 [1067] | 32 [813] | 44 [1118] | 221 | [100.2] |
| 1200 | | | | 61 | 228 | | [103.4] | | | | | | | |
| 2000 | | | | 100 | 240 | | [108.9] | | | | | | | |
| G19 | 7.2 | 8.3 | 95 | 1600 | 70 | 202 | 9.65 [245] | 7.50 [191] | 25 [635] | 15 [581] | 7 [178] | 17 [432] | 61 | [27.7] |
| G20 | 14.4 | 15.5 | 110 | 1600 | 70 | 205 | 12.15 [308] | 10 [254] | 25 [635] | 15 [381] | 10 [254] | 17 [432] | 73 | [33.2] |
| G21 | 23 | 27 | 150 | 1600 | 70 | 208 | 16.15 [410] | 14 [356] | 28 [711] | 18 [457] | 12 [305] | 20 [508] | 101 | [45.9] |
| G22 | 34.5 | 38 | 200 | 1600 | 70 | 210 | 20.15 [512] | 18 [457] | 34 [864] | 24 [610] | 18 [457] | 26 [660] | 116 | [52.7] |
| G23 | 46 | 48.3 | 250 | 1600 | 70 | 214 | 24.15 [613] | 22 [559] | 40 [1016] | 30 [762] | 22 [559] | 32 [813] | 180 | [81.7] |
| G24 | 69 | 72.5 | 350 | 1600 | 70 | 216 | 32.15 [817] | 30 [762] | 52 [1321] | 42 [1067] | 32 [813] | 44 [1118] | 232 | [105] |



- NOTES:
1. INSULATORS INVERTED FOR UNDERHUNG MOUNTING.
 2. ALL DIMENSIONS ARE IN INCHES.
 3. DIMENSIONS IN [] ARE IN MM.
 4. WEIGHTS IN [] ARE IN KG.

USE STANDARD DRAWING C102A230
FOR 5" CHANNEL BASE

| | | | | | | | | | |
|---|---------|-----------------------|---------|----------|------------|--------|----------------------------|--|--|
| | | Cleaveland/Price Inc. | | | | | | | |
| REV | VERSION | DRAWN | CHECKED | APPROVED | DATE | SHEET | SCALE | | |
| M | 1 | DMW | GH | | 09/30/1987 | 1 OF 1 | PROPORTIONAL | | |
| LCO-C COPPER HOOKSTICK DISCONNECT SWITCH 7.2kV-69kV 600A-2000A 3" B.C. INSULATORS 6" CHANNEL BASE | | | | | | | DWG NO. C102A150 | | |