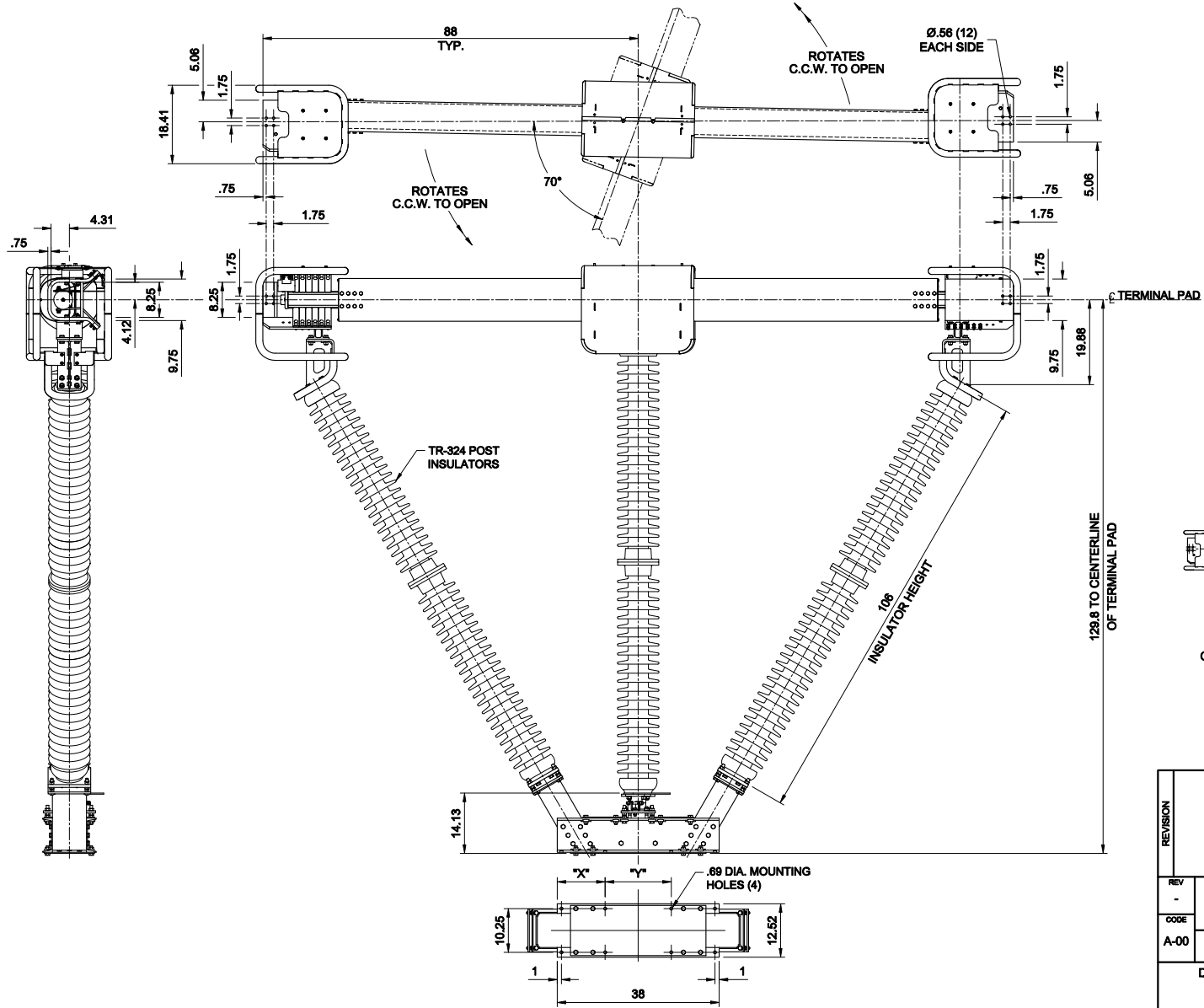
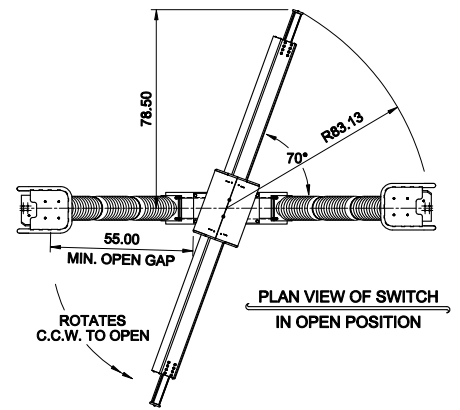


KV NOM.	345
KV MAX.	362
KV BIL	1300
AMPS	5000
ASYM. kA	160
PEAK	260
SHORT TIME	100
WT./POLE	1955 lbs.



- NOTES:
1. ALUMINUM TERMINAL PADS.
 2. SILVER PLATED CONTACTS.
 3. ALL COPPER PARTS ARE TIN PLATED ALL OVER.
 4. HOT-DIP GALV. STEEL CHANNEL BASE.
 5. ALL DIMENSIONS ARE IN INCHES.
 6. C.C.W. SWING AS SHOWN.
 7. CUSTOMER TO SUPPLY THE "X" & "Y" DIMENSIONS.



REVISION							
REV	-						
CODE							
A-00	DRS	CHEKED	JRS	DATE	01/21/2016	SWITCH STYLE REFERENCE NUMBER	-
DB-AV ALUMINUM DOUBLE SIDE BREAK DISCONNECT SWITCH 345kV, 5000A, 5" B.C. INSULATORS, & 8" DOUBLE CHANNEL BASE							DWG NO. C04B130

Cleaveland/Price Inc.
 14000 Route 993 : Trafford, PA 15085