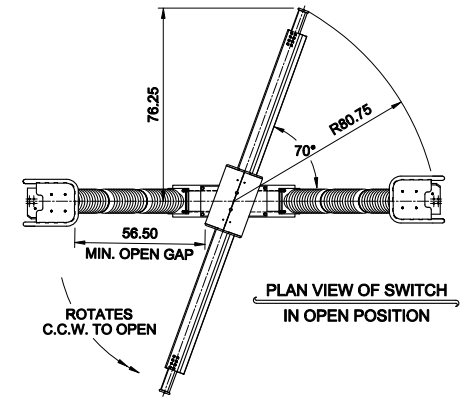
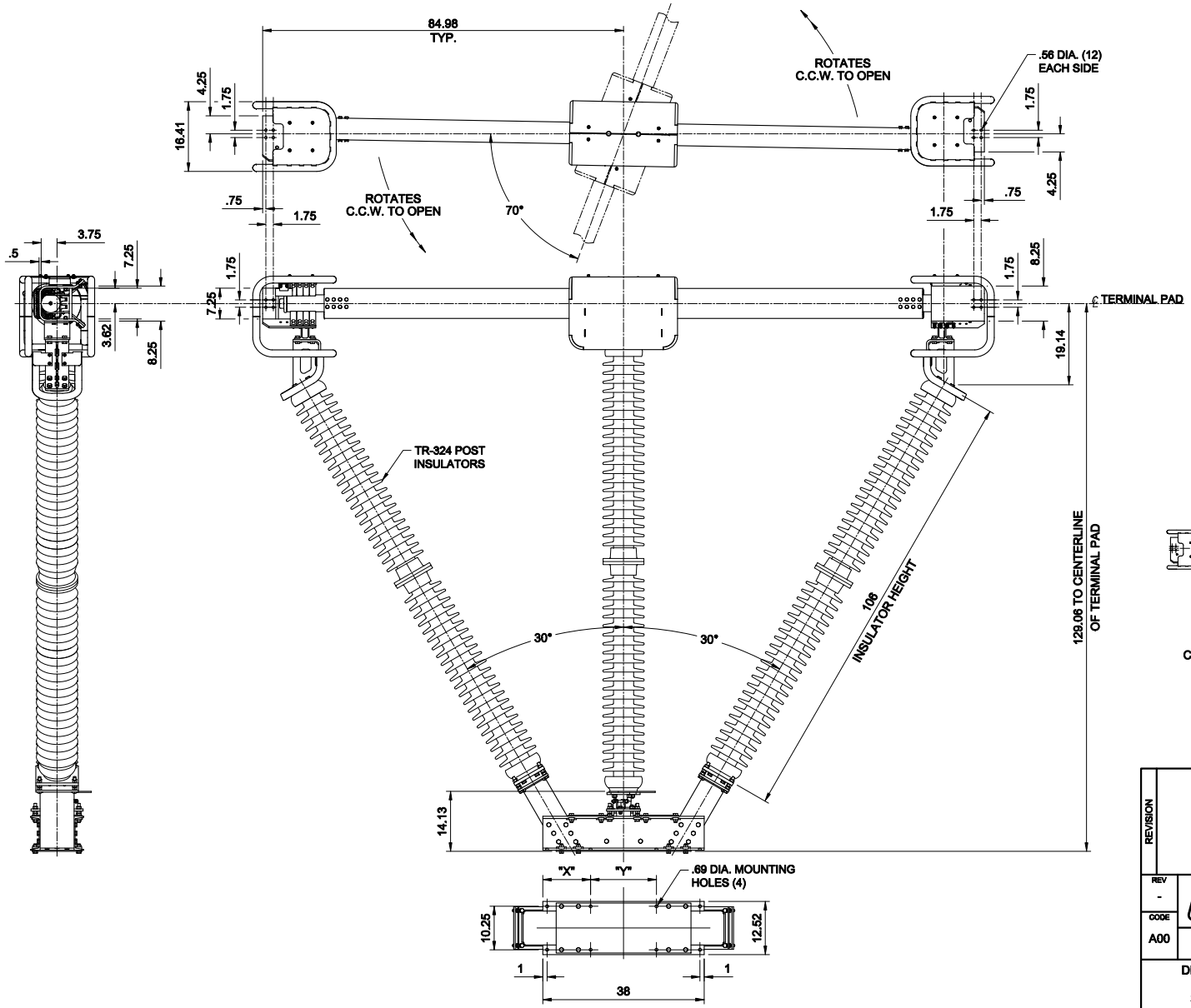



KV NOM.	345
KV MAX.	362
KV BIL	1300
AMPS	4000
ASYM. KA	160
PEAK	260
SHORT TIME	100
WT./POLE	1905 lbs.

- NOTES:  
 1. ALUMINUM TERMINAL PADS.  
 2. SILVER PLATED CONTACTS.  
 3. ALL COPPER PARTS ARE TIN PLATED ALL OVER.  
 4. HOT-DIP GALV. STEEL CHANNEL BASE.  
 5. ALL DIMENSIONS ARE IN INCHES.  
 6. C.C.W. SWING AS SHOWN.  
 7. CUSTOMER TO SUPPLY THE "X" & "Y" DIMENSIONS.



REV	-	 <b>Cleaveland/Price Inc.</b> 14000 Route 993 : Trafford, PA 15085						
CODE	A00							
DRAWN	DRS	CHECKED	JRS	DATE	01/21/2016	SWITCH STYLE REFERENCE NUMBER	-	
DB-AV ALUMINUM DOUBLE SIDE BREAK DISCONNECT SWITCH 345KV, 4000A, 5" B.C. INSULATORS, & 8" DOUBLE CHANNEL BASE							DWG NO.	C04B129