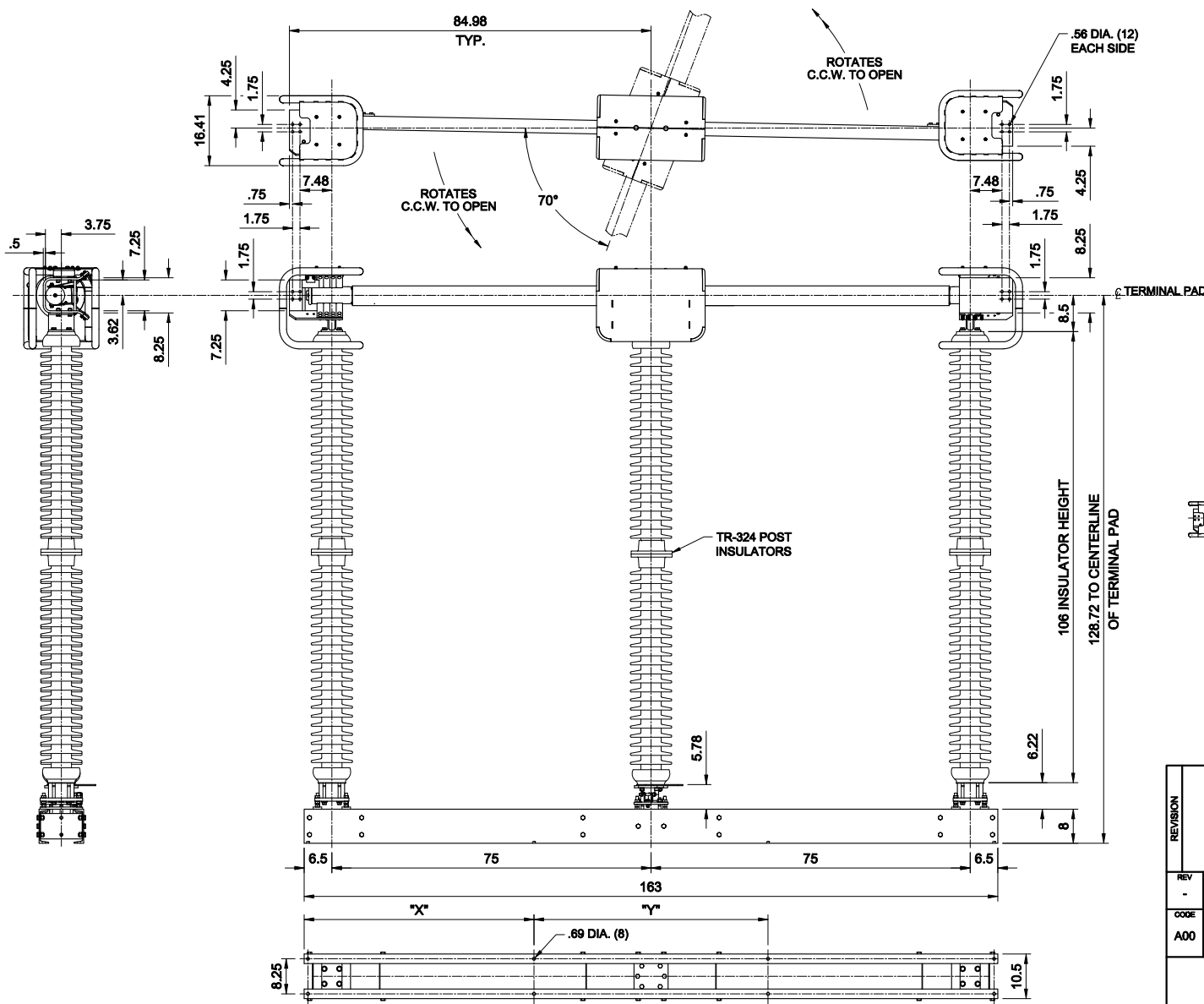
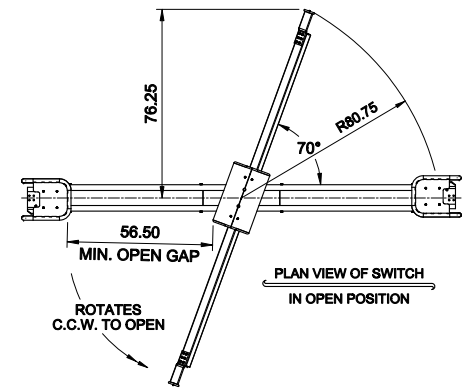



KV NOM.	345
KV MAX.	362
KV BIL.	1300
AMPS	3000
ASYM. KA	120
PEAK	195
SHORT TIME	75
WT./POLE	1944 lbs.



- NOTES:
1. ALUMINUM TERMINAL PADS.
 2. SILVER PLATED CONTACTS.
 3. ALL COPPER PARTS ARE TIN PLATED ALL OVER.
 4. HOT-DIP GALV. STEEL CHANNEL BASE.
 5. ALL DIMENSIONS ARE IN INCHES.
 6. C.C.W. SWING AS SHOWN.
 7. CUSTOMER TO SUPPLY THE "X" & "Y" DIMENSIONS.



REVISION				
REV	-			
CODE				
A00	DRS	JRS	01/18/2016	SWITCH STYLE REFERENCE NUMBER
 Cleaveland/Price Inc. 14000 Route 993 : Trafford, PA 15085				
DB-A ALUMINUM DOUBLE SIDE BREAK DISCONNECT SWITCH 345KV, 3000A, 5" B.C. INSULATORS, & 8" DOUBLE CHANNEL BASE				DWG NO. C04B120