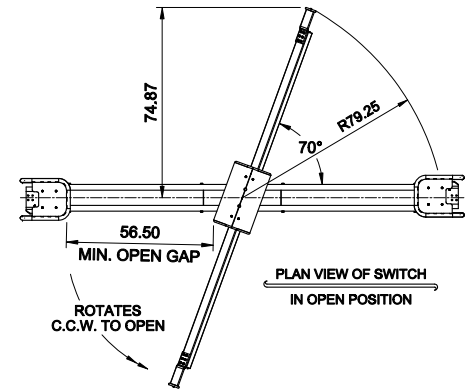



KV NOM.	345
KV MAX.	362
KV BIL	1300
AMPS	2000
ASYM. kA	100
PEAK	164
SHORT TIME	63
WT./POLE	1900 lbs.

- NOTES:
1. ALUMINUM TERMINAL PADS.
 2. SILVER PLATED CONTACTS.
 3. ALL COPPER PARTS ARE TIN PLATED ALL OVER.
 4. HOT-DIP GALV. STEEL CHANNEL BASE.
 5. ALL DIMENSIONS ARE IN INCHES.
 6. C.C.W. SWING AS SHOWN.
C.W. SWING OPPOSITE HAND.
 7. CUSTOMER TO SUPPLY THE "X" & "Y" DIMENSIONS.



REVISION	
REV	-
CODE	 Cleaveland/Price Inc. 14000 Route 993 : Trafford, PA 15085
A00	DRAWN DRS CHECKED JRS DATE 01/18/2016 SWITCH STYLE REFERENCE NUMBER -
DB-A ALUMINUM DOUBLE SIDE BREAK DISCONNECT SWITCH 345KV, 2000A, 5" B.C. INSULATORS, & 8" DOUBLE CHANNEL BASE	
DWG NO. C04B119	