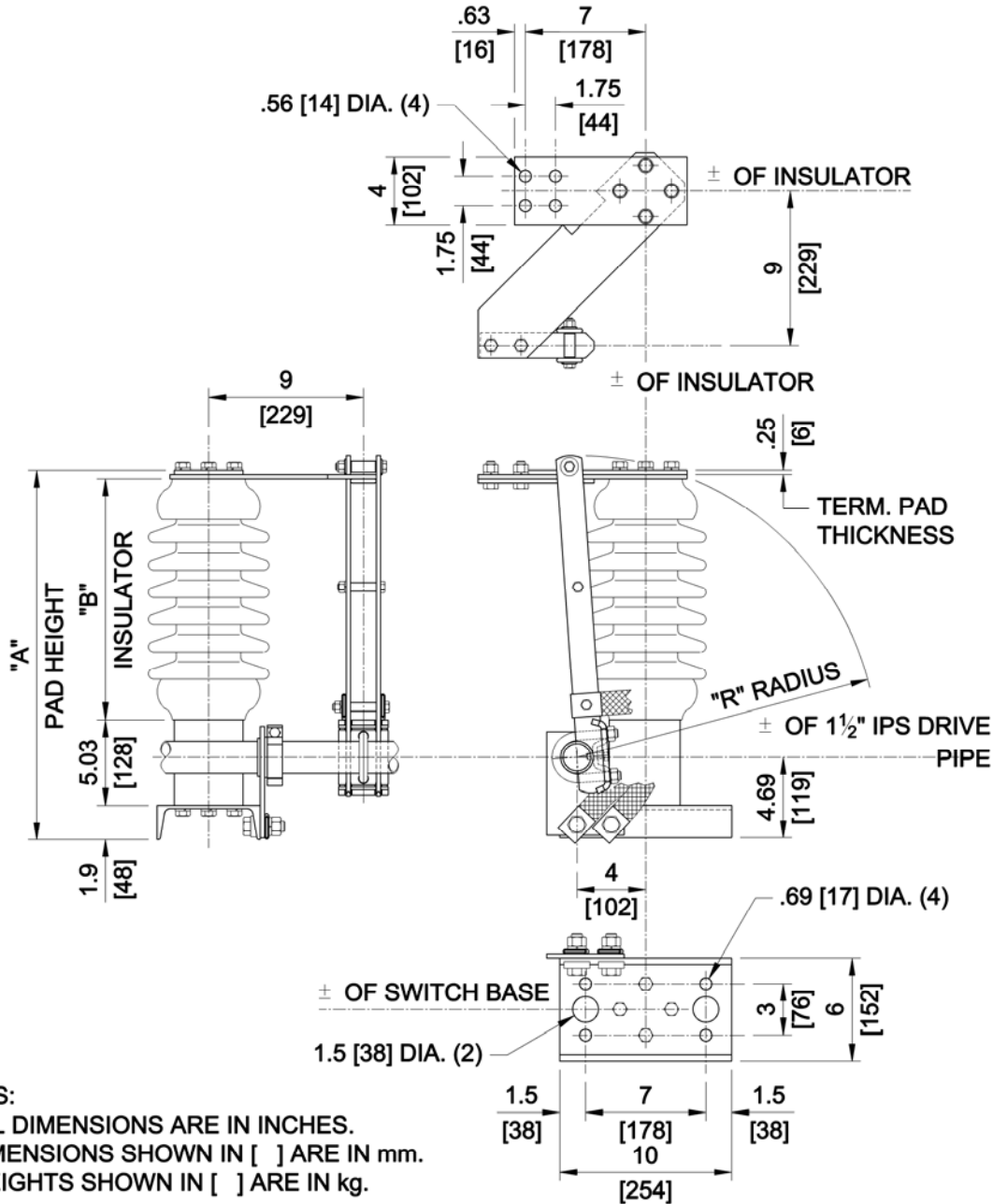


| GROUP No. | RATINGS | | | | POST INSUL NEMA TR# | DIMENSIONS IN INCHES MM SHOWN IN [] | | | WEIGHT / POLE (INCLUDES INSUL.) | |
|------------|---------|---------|---------|--------|---------------------|---|-------|-------|---------------------------------|--------|
| | kA MOM. | kV NOM. | kV MAX. | kV BIL | | "A" | "B" | "R" | LBS. | kG. |
| C14A050G01 | 40 | 7.2 | 8.3 | 95 | 202 | 14.93 | 7.5 | 11.06 | 43 | [19.5] |
| C14A050G02 | 70 | | | | | [379] | [190] | [281] | 44 | [20.0] |
| C14A050G03 | 40 | 14.4 | 15.5 | 110 | 205 | 17.43 | 10 | 13.56 | 47 | [21.3] |
| C14A050G04 | 70 | | | | | [443] | [254] | [344] | 49 | [22.2] |
| C14A050G05 | 40 | 23 | 27 | 150 | 208 | 21.43 | 14 | 17.56 | 62 | [28.1] |
| C14A050G06 | 70 | | | | | [544] | [356] | [446] | 64 | [29.1] |
| C14A050G07 | 40 | 34.5 | 38 | 200 | 210 | 25.43 | 18 | 21.56 | 73 | [33.1] |
| C14A050G08 | 70 | | | | | [646] | [457] | [548] | 75 | [34.1] |



NOTES:

1. ALL DIMENSIONS ARE IN INCHES.
2. DIMENSIONS SHOWN IN [] ARE IN mm.
3. WEIGHTS SHOWN IN [] ARE IN kg.

| | |
|--|--|
| B: UPDATE BEARING RETAINER & BLADE ATTACHMENT. MDN 9-19-16 | |
| A: UPDATE MAX KV LAB 9/2/04 | |
| REVISION | |

CODE
A00

| | | |
|---|---------------------------|-------------------------------|
| Cleaveland/Price Inc. 14000 Rt. 993 Trafford, PA 15085-9550 | DATE 01/20/1998 | REV B |
| | DRAWN BY GH | DRAWING NO. C14A050 |
| GND-C COPPER GROUND SWITCH POLE UNIT OUTLINE 7.2-34.5kV, 40 & 70kA MOMENTARY RATINGS | | |
| CHECKED BY SF | | |