

CHAIN DRIVE OPERATOR PADLOCKING AND KEY INTERLOCK MOUNTING PROVISIONS IN OPEN AND CLOSED POSITIONS

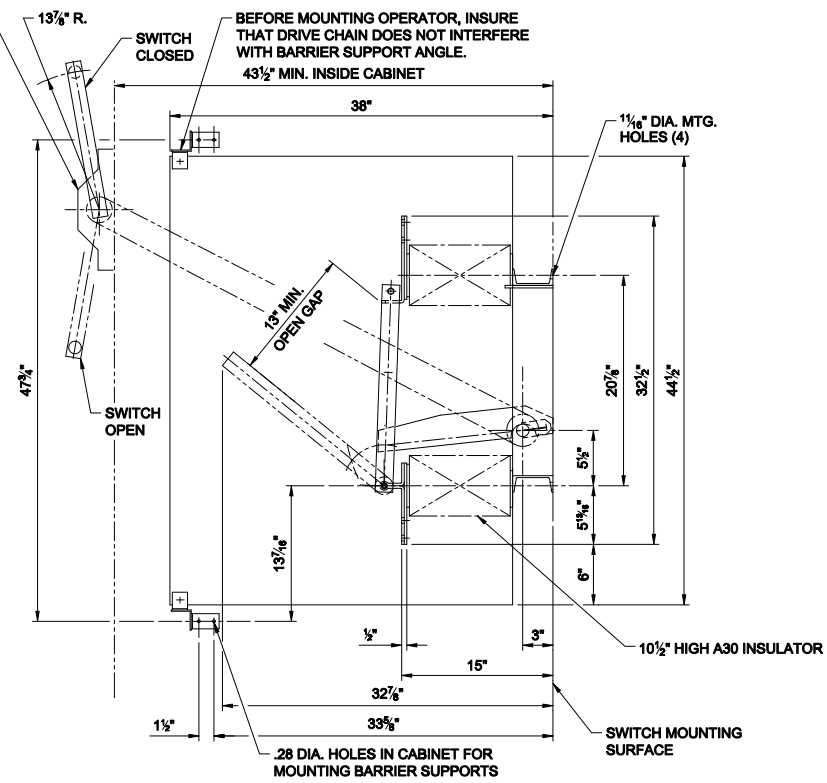
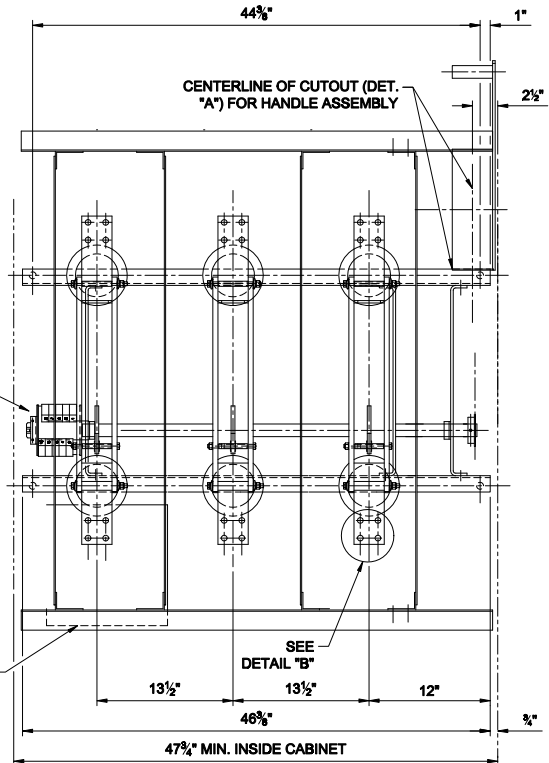
CENTERLINE OF CUTOUT (DET. "A") FOR HANDLE ASSEMBLY

BEFORE MOUNTING OPERATOR, INSURE THAT DRIVE CHAIN DOES NOT INTERFERE WITH BARRIER SUPPORT ANGLE. 43 1/2" MIN. INSIDE CABINET

AUX. SWITCH IF REQUIRED (OPTIONAL)


JUNCTION BOX FOR AUX. SWITCH WIRING. BOX TO BE MOUNTED TO SWITCH BASE. (OPTIONAL)

SEE DETAIL "B"



REVISION	DATE	DESCRIPTION

AS PER TECHNICAL TO AUX. SWITCH AND JUNCTION BOX NOTES. FWC-1-5-2014

REV A	 Cleaveland/Price Inc. 14000 Route 993 : Trafford, PA 15085			
CODE A00	DRAWN JRS	CHECKED PMK	DATE 08/06/1998	SHEET 1 OF 1
LGC-C OUTLINE 34.5KV, 38KV MAX 150KV BIL 2000AMP 80KA MOM W/ CHAIN DRIVE OPER				SCALE PROPORTIONAL
				DWG NO. C00B006