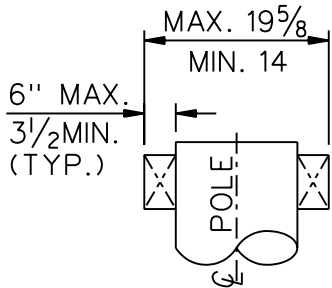
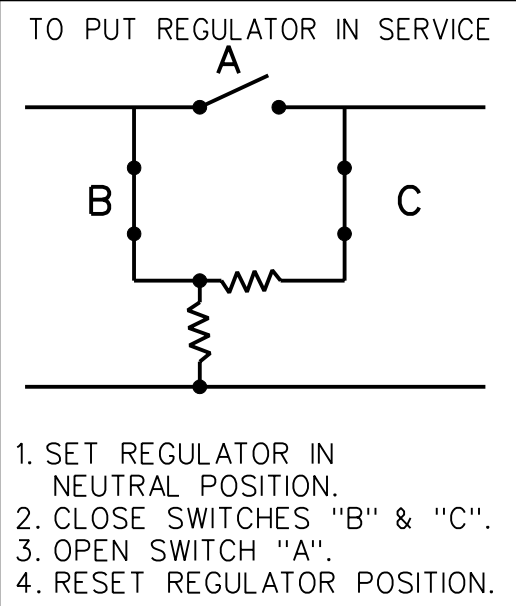
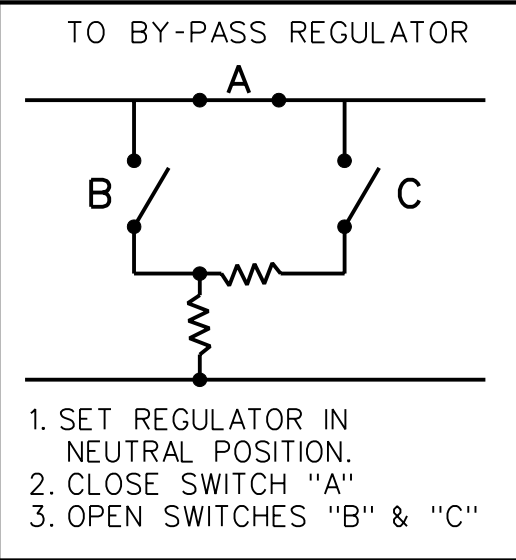
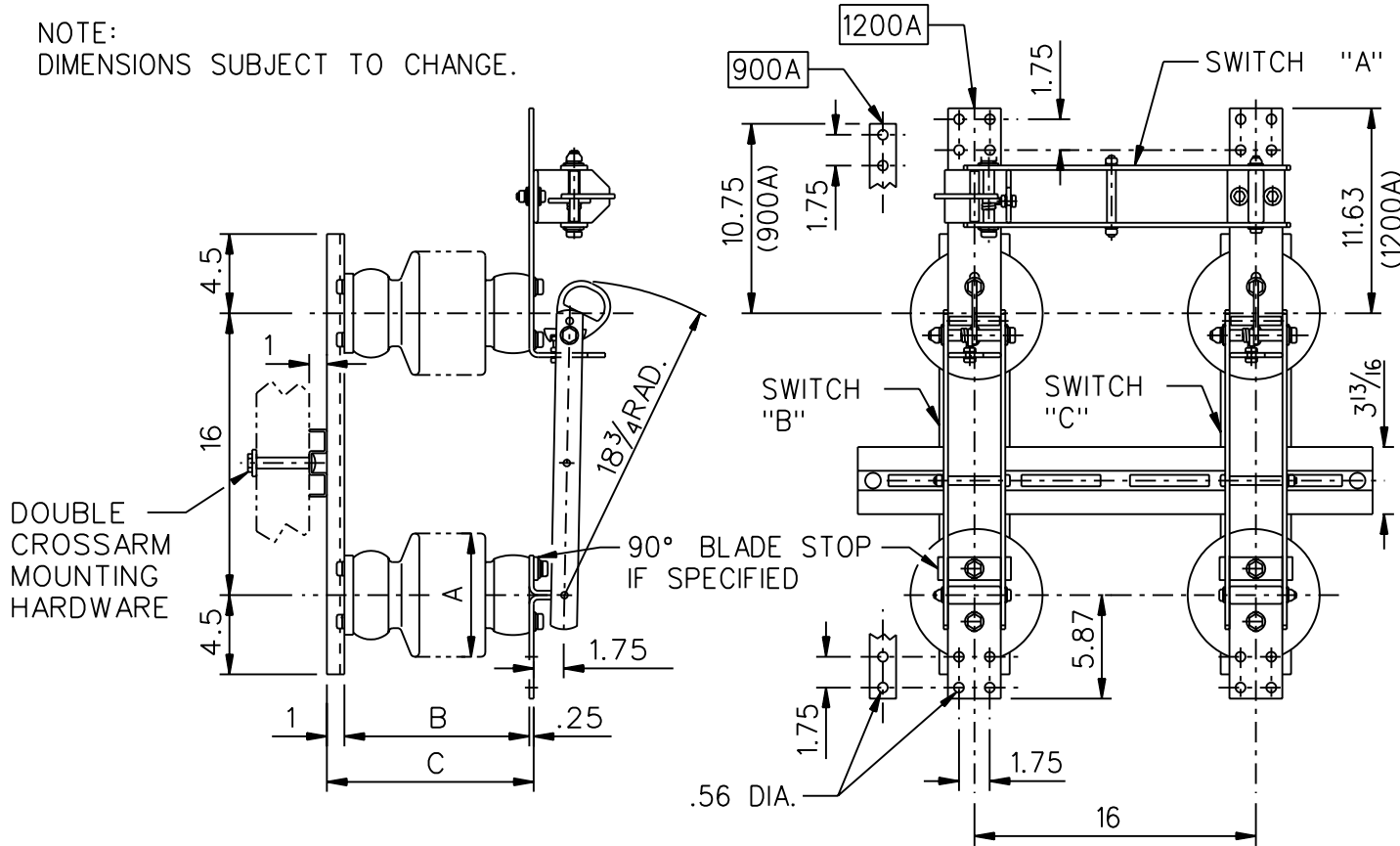


NOTE:  
DIMENSIONS SUBJECT TO CHANGE.



SUFFIX:  
P- FOR POLE MOUNT W/ BRACKET  
R- FOR RIGHT MOUNT CROSSARM (AS SHOWN)  
L- FOR LEFT MOUNT CROSSARM (OPP HAND)

DOUBLE CROSSARM MTG. LIMITS

GROUP	kV	AMPS	BIL	MOMENTARY	A	B	C	WT/POLE
01	7.2	900	95	40 KA	5.5	6.75	8	69
02	7.2	1200	95	61 KA	5.5	6.75	8	80
03	15	900	110	40 KA	5.5	8	9.25	75
04	15	1200	110	61 KA	5.5	8	9.25	86
05	23	900	150	40 KA	5.56	10	11.25	84
06	23	1200	150	61 KA	5.56	10	11.25	96

D- REDRAW ON C40  
02/06/07  
REVISION

**Cleveland/Price, Inc.**

REV	CODE	DRAWN	CHECKED	DATE	DISTRIBUTION	SCALE
D	A-00	MTS	SF	7-14-89	001	NONE

RBO-C REGULATOR BYPASS  
900/1200A 7.2-23 kV-2 1/4bc INSULATOR

DWC NO.  
**C113A014**