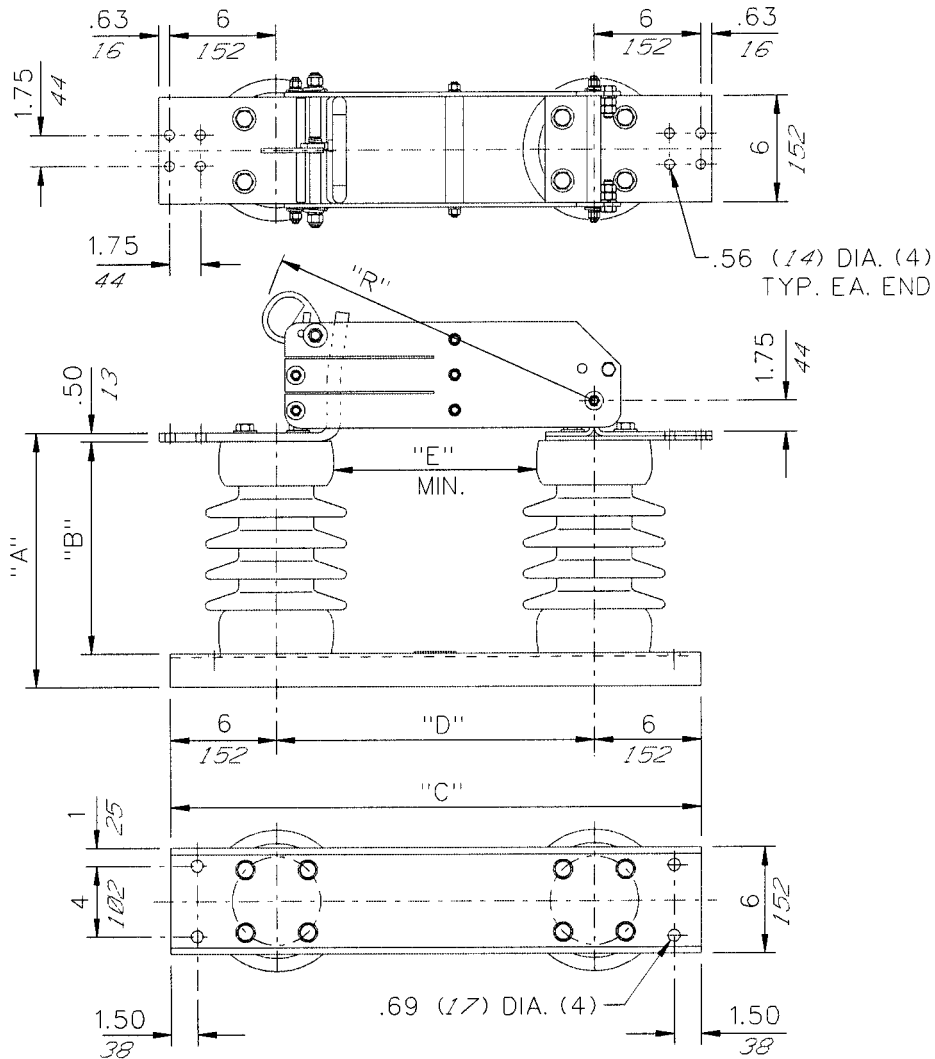


GROUP NO.	RATINGS					POST INSUL NEMA TR*	DIMENSIONS IN INCHES <i>MILLIMETERS SHOWN IN ITALICS</i>						WEIGHT/POLE (INCL. INSUL.)	
	kV NOM.	kV MAX.	kV BIL	AMPS	kA MOM.		"A"	"B"	"C"	"D"	"E"	"R"	LBS	KG
G01	7.2	8.25	95	3000	120	222	12.44 <i>316</i>	10 <i>254</i>	30 <i>762</i>	18 <i>457</i>	7 <i>178</i>	20.50 <i>521</i>	146	<i>66.3</i>
G02	14.4	15.5	110	3000	120	225	14.44 <i>367</i>	12 <i>305</i>	30 <i>762</i>	18 <i>457</i>	10 <i>254</i>	20.50 <i>521</i>	158	<i>71.7</i>
G03	23	25.8	150	3000	120	227	17.44 <i>443</i>	15 <i>381</i>	32 <i>813</i>	20 <i>508</i>	12 <i>305</i>	22.50 <i>572</i>	190	<i>86.3</i>
G04	34.5	38	200	3000	120	231	22.44 <i>570</i>	20 <i>508</i>	38 <i>965</i>	26 <i>660</i>	18 <i>457</i>	28.38 <i>721</i>	250	<i>113.5</i>



NOTES:

1. INSULATORS INVERTED FOR UNDERHUNG MOUNTING.
2. ALL DIMENSIONS ARE IN INCHES.
3. DIMENSIONS IN *ITALIC* ARE IN MM
4. WEIGHTS IN *ITALIC* ARE IN KG

CODE  
A  
00

**Cleveland / Price Inc. 1400 RT. 993 Trafford, PA 15085-9550**

DATE  
04-08-88

REV.  
C

LCO-C COPPER HOOKSTICK OPERATED DISCONNECT SWITCH  
7.2kV-34.5kV; 3000A; WITH 5" B.C. INSULATORS

DRAWN  
GH  
CHECKED  
SF

DRAWING No.

**C102A186**