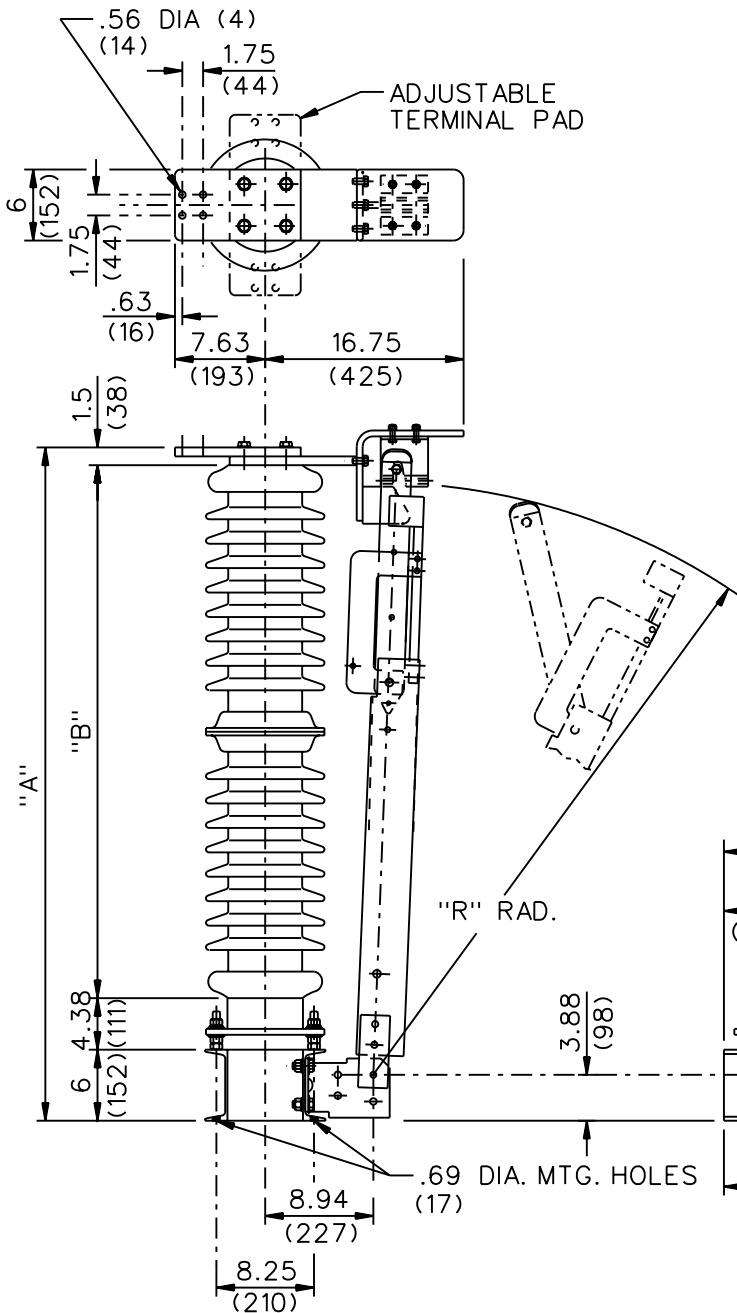


GROUP NO.	RATINGS					POST INSUL NEMA TR*	DIMENSIONS IN INCHES MILLIMETERS SHOWN IN ( )				WEIGHT/POLE (INCL. INSUL.)	
	kV NOM.	kV MAX.	kV BIL	kA MOM.			"A"	"B"	"C"	"R"	LBS	(Kg)
				3 SEC. SYM RMS	10 CYCLE ASYM RMS							
G01	115	123	550	71	120	286	56.88 (1445)	45 (1143)	58 <sup>3</sup> / <sub>8</sub> (1483)	50.75 (1289)	300	(136.1)
G02	138	145	650	71	120	288	65.88 (1673)	54 (1372)	71 <sup>3</sup> / <sub>4</sub> (1822)	59.56 (1513)	448	(203.2)
G03	161	170	750	71	120	291	73.88 (1876)	62 (1575)	69 <sup>1</sup> / <sub>4</sub> (1759)	67.44 (1713)	510	(231.3)
G04	230	245	900	71	120	304	91.88 (2333)	80 (2032)	98 <sup>3</sup> / <sub>8</sub> (2499)	85.25 (2165)	595	(269.9)
G05	230	245	1050	71	120	312	103.88 (2638)	92 (2337)	106 <sup>3</sup> / <sub>8</sub> (2702)	97.13 (2467)	638	(289.4)



NOTES:

1. ALUMINUM TERMINAL PAD.
2. ALL DIMENSIONS ARE IN INCHES.
3. DIMENSIONS IN ( ) ARE IN MM.
4. WEIGHTS IN ( ) ARE IN KG.
5. CUSTOMER TO SPECIFY "X" & "Y" DIMENSIONS.

CODE  
A  
00

**Cleveland / Price Inc. 1400 RT. 993 Trafford, PA 15085-9550**

DATE  
5-31-95

REV.  
E

**GND-C ALUMINUM GROUND SWITCH 115kV-230kV  
120kA MOM./71kA 3 SEC. RATING; 5" B.C. INSUL.; HORIZ. MOUNT**

DRAWN  
GH  
CHECKED  
SF

DRAWING No.

**C14A009**