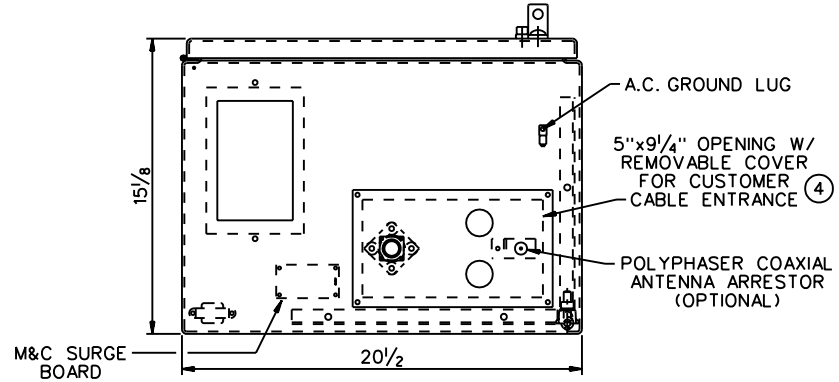
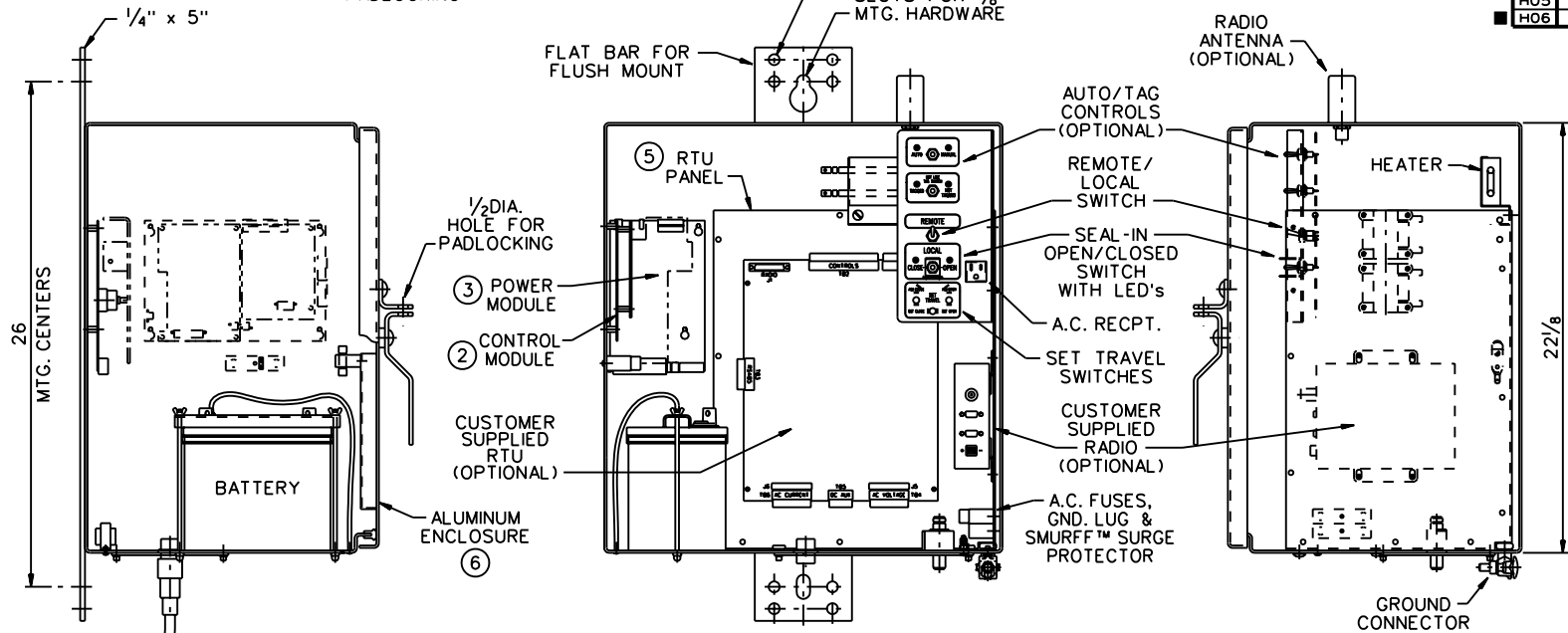


| | |
|--------------------|----------|
| RTU | ? |
| RADIO | ? |
| CHARGER VOLTS | 120 A.C. |
| CHARGER AMPS | 5 |
| HEATER VOLTS | 125 |
| HEATER WATTS | 250 |
| SCHEMATIC | C128B996 |
| M&C WIRING DIAGRAM | C132B505 |

| ITEM | DESCRIPTION | STYLE No. | QTY |
|------|----------------------|-------------|-----|
| H01 | MAIN ASSEMBLY | C134D002G02 | 1 |
| H02 | CONTROL MODULE ASS'Y | C128A150G01 | 1 |
| H03 | POWER MODULE ASS'Y | C128A151G04 | 1 |
| H04 | ACCESS PLATE/ASS'Y | C413A087G01 | 1 |
| H05 | RTU PANEL ASS'Y | C401B003H01 | 1 |
| H06 | ENCLOSURE (GREEN) | C132C004G01 | 1 |



C/P STANDARD

| | | | | |
|--------|---|--------------|----------------|--------------------------------------|
| REV - | Cleaveland/Price, Inc. | | | 1400 Route 993 : Trafford, PA. 15085 |
| CODE A | DRAWN: JKA | CHECKED: CMC | DATE: 04/14/04 | SCALE: PROPORTIONAL |
| AA | RSD - VER3 OUTLINE/ASSEMBLY for CONTROL of REMOTE C/P MOTOR | | | DWG NO. CB34AA04 |

| | |
|----------|--|
| REVISION | |
|----------|--|