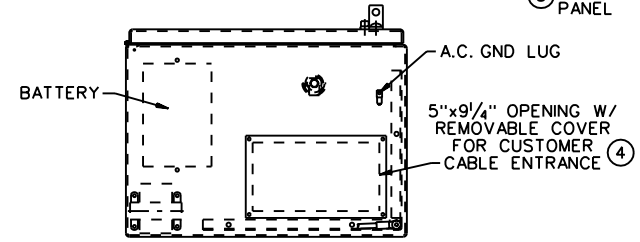
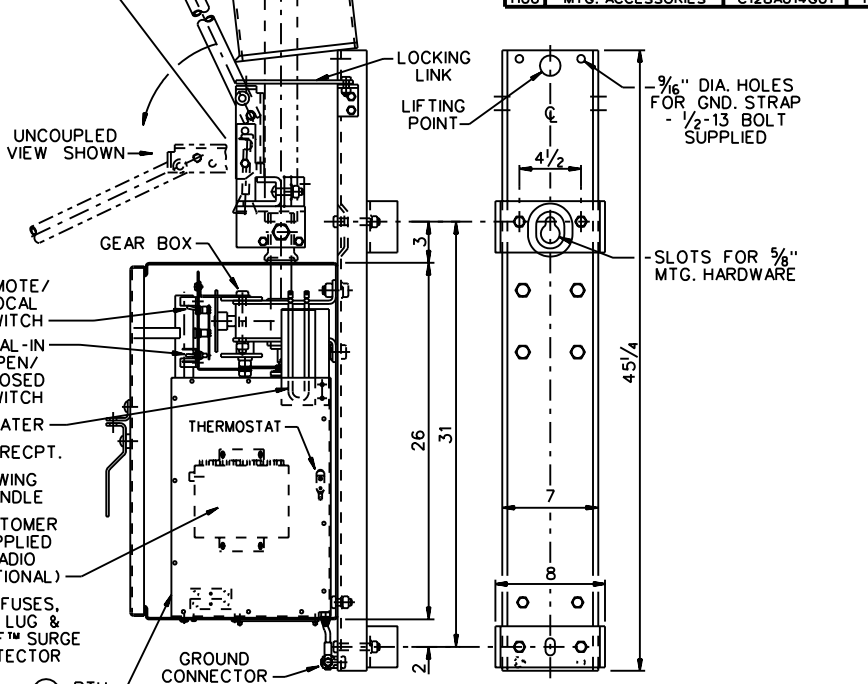
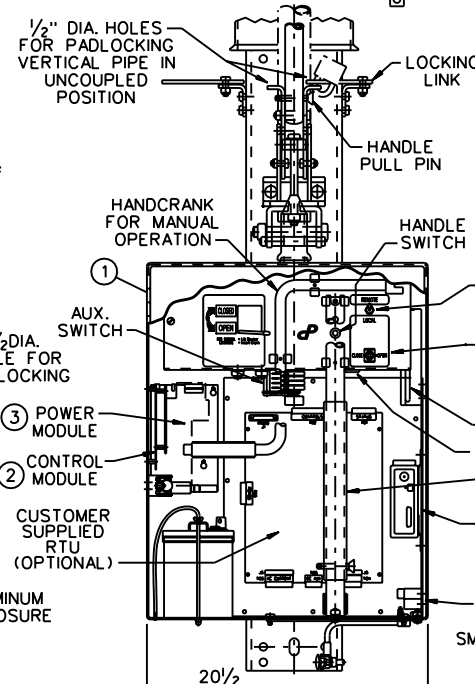
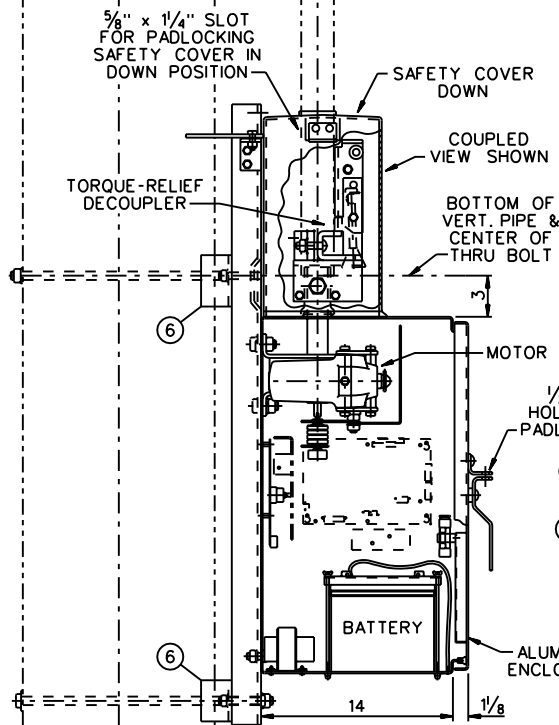


SWITCH CLASS	TRANSMISSION
RTU	SEE M.I.
RADIO	?
OTHER EQUIPMENT	NONE
PIPE SIZE	2" I.P.S.
CHARGER VOLTS	120 A.C.
CHARGER AMPS	5
HEATER VOLTS	125
HEATER WATTS	250
SPEED	1.7 SEC. @ 90°
IN. LBS. TORQUE MIN.	17,000
SCHEMATIC C128B999	

ITEM	DESCRIPTION	STYLE No.	QTY
H01	MAIN ASSEMBLY	C128D007G12	1
H02	CONTROL MODULE ASS'Y	C128A150G01	1
H03	POWER MODULE ASS'Y	C128A151G01	1
H04	ACCESS PLATE/ASS'Y	C413A013H01	1
H05	RTU/MTG. ASSEMBLY	C401B003H01	1
H06	MTG. ACCESSORIES	C128A014G01	1



C/P STANDARD

REVISION  
 A: H02 WAS C128A150G08  
 CLS 07/18/02

REV A	Cleaveland/Price, Inc. 14000 Route 993 : Trafford, PA. 15085		
CODE A AA	DRAWN: JKA	CHECKED: CMC	DATE: 08/10/00
TYPE BT-T ADMO - VER3 OUTLINE & ASSEMBLY			SCALE: PROPORTIONAL DWG NO. CB28AA18