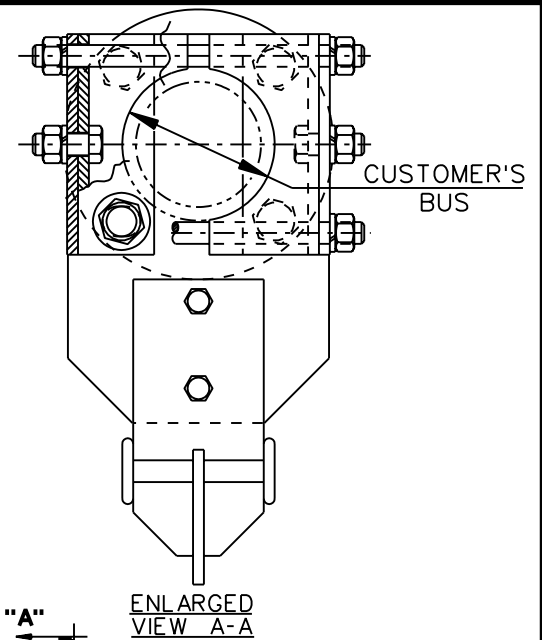
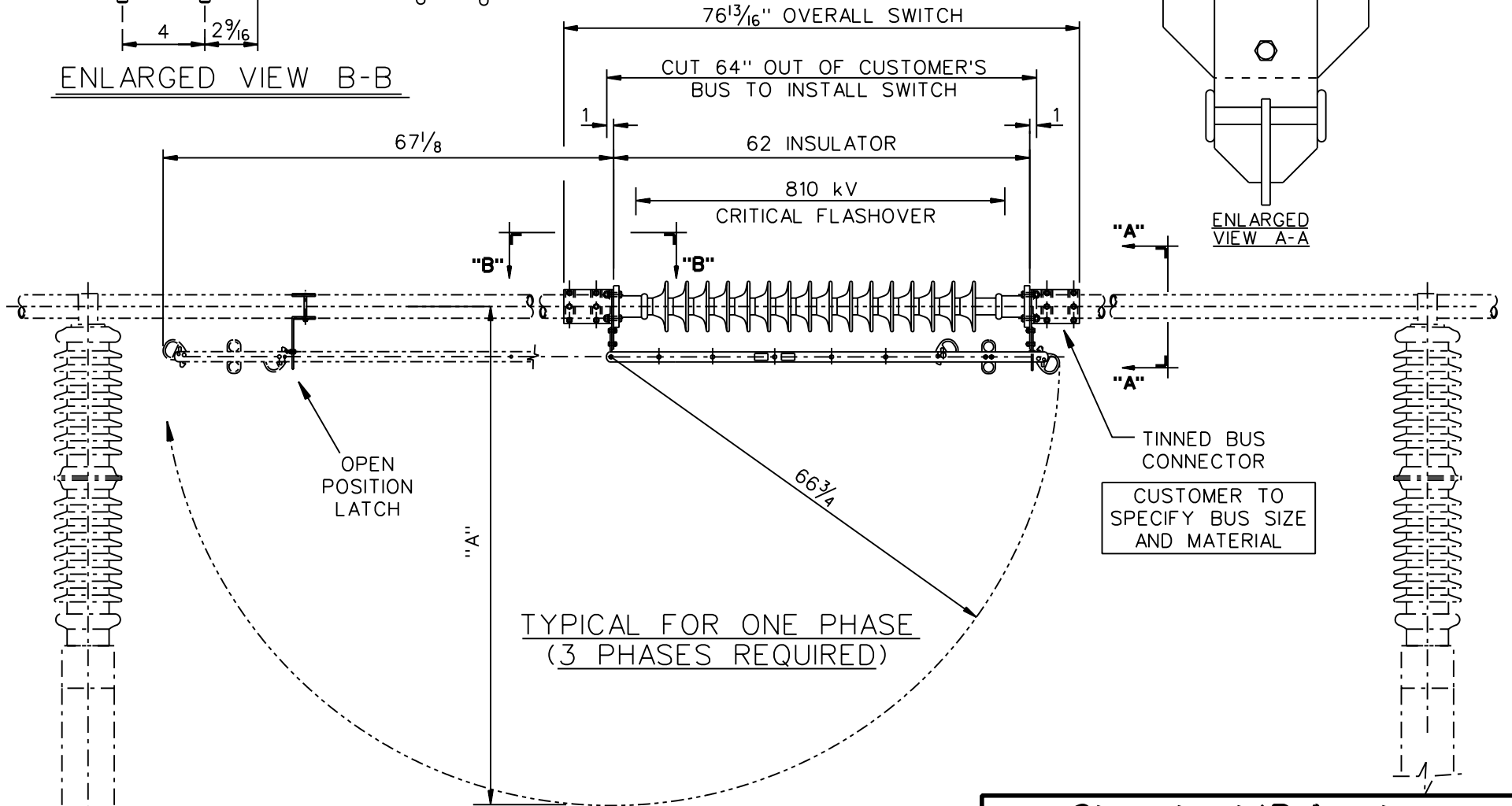


ENLARGED VIEW B-B



ENLARGED VIEW A-A



TYPICAL FOR ONE PHASE
(3 PHASES REQUIRED)

TINNED BUS CONNECTOR
CUSTOMER TO SPECIFY BUS SIZE AND MATERIAL

Cleveland/Price, Inc.

REV	CODE	DRAWN:	CHECKED:	DATE:	DISTRIBUTION	SCALE:
C	A-FL	GH	CMC	11-07-03	001	PROPORTIONAL
ILO-CB BUS SWITCH 138 kV, 1200/2000 AMPS						DWG NO. CA02FL04

CA02FL04G02	2000	74 ⁵ / ₈
CA02FL04G01	1200	74 ¹ / ₄
STYLE NUMBER	AMPS	"A"