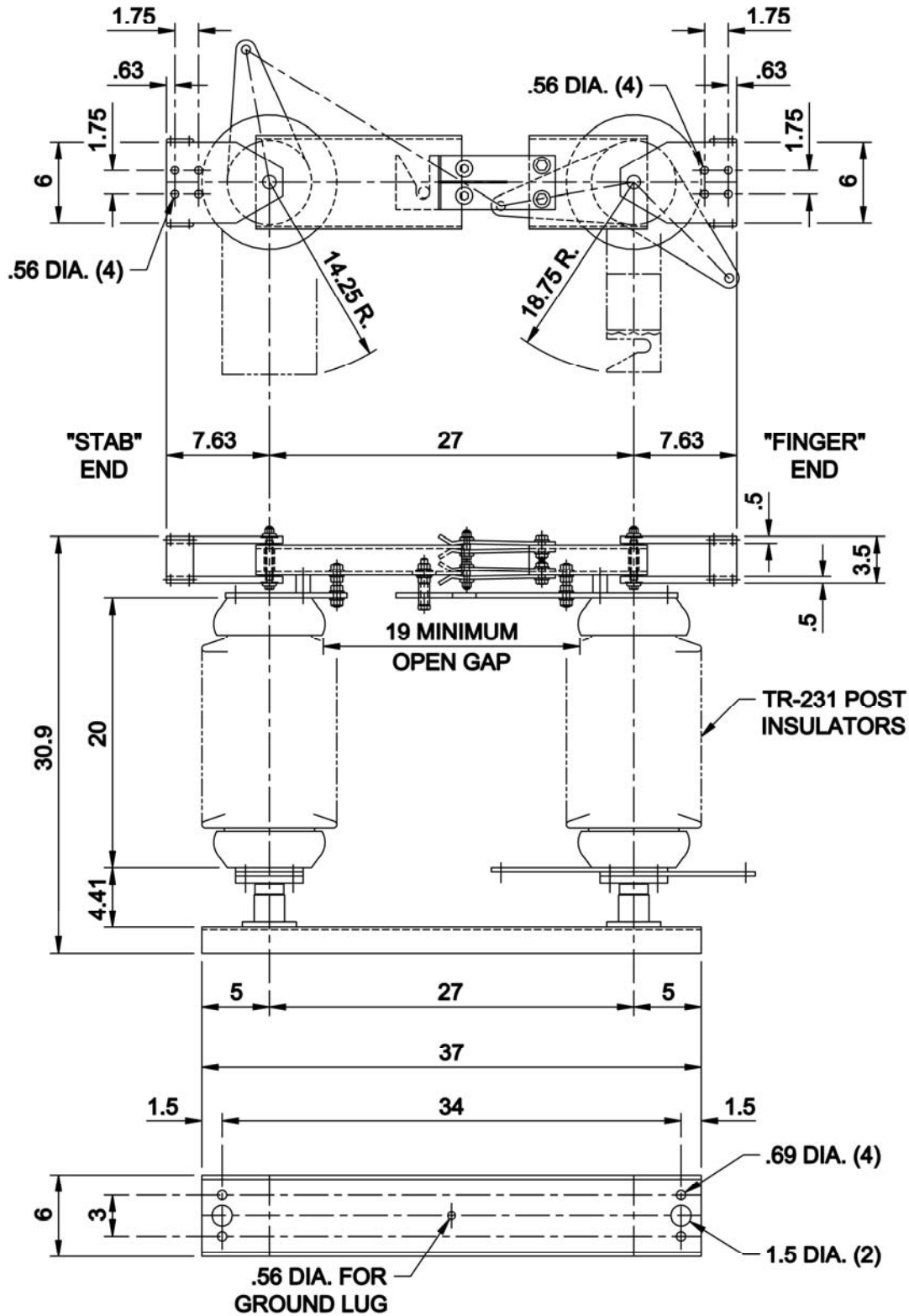


NOTES:

1. ALL CURRENT CARRYING PARTS ARE COPPER.
2. HOT DIP GALVANIZED STEEL CHANNEL BASE.
3. ALL DIMENSIONS ARE IN INCHES.
4. LEFT HAND SWING AS SHOWN;
RIGHT HAND SWING OPPOSITE HAND.

KV NOM.	34.5
KV MAX.	38
kV BIL	200
AMPS	3000
MOM KA.	120
WT./POLE	273 lbs.



CODE	A00
REV	-

Cleaveland/Price Inc. 14000 Rt. 993 Trafford, PA 15085-9550

DATE
10/19/2011

CB-C COPPER CENTER BREAK DISCONNECT SWITCH
34.5kV, 3000A, 5" B.C. INSULATORS, 6" CHANNEL BASE

DRAWN BY
FWC
CHECKED BY

DRAWING NO.
C26A085