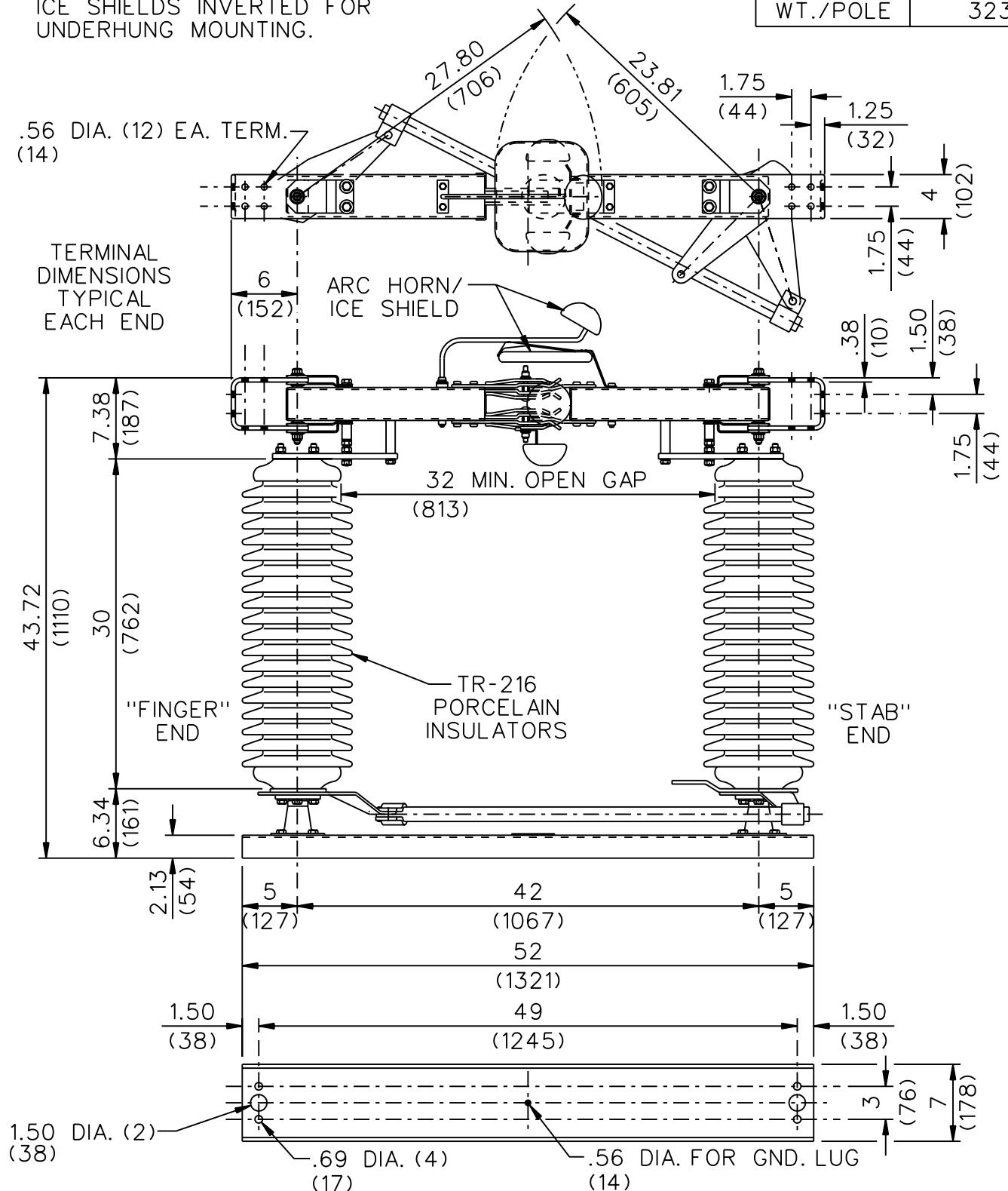


NOTES:

1. HOT-DIPPED GALV. STEEL CHANNEL BASE.
2. TIN PLATED TERMINAL PADS.
3. ALL DIMENSION ARE IN INCHES.
4. DIMENSIONS IN () ARE IN mm.
5. INSULATORS & ARC HORNS/ ICE SHIELDS INVERTED FOR UNDERHUNG MOUNTING.

RIGHT HAND SWING AS SHOWN
LEFT HAND SWING OPP. HAND

STYLE NO.	C26A033G01
kV NOM.	69
kV MAX.	72.5
kV BIL	350
AMPS	2000
MOM. kA	100
WT./POLE	323



Cleaveland / Price Inc. 14000 RT. 993 Trafford, PA 15085-9550

DISTRIB. 001 DATE Mar. 31, 2003

CODE
A
00

**CB-A ALUMINUM CENTER BREAK DISCONNECT SWITCH
69kV, 2000A, WITH 3" B.C. INSULATORS, AND 7" CHANNEL BASE**

DRAWN
GH
CHECKED
LAB

DRAWING No. **C26A033**

REV.
A