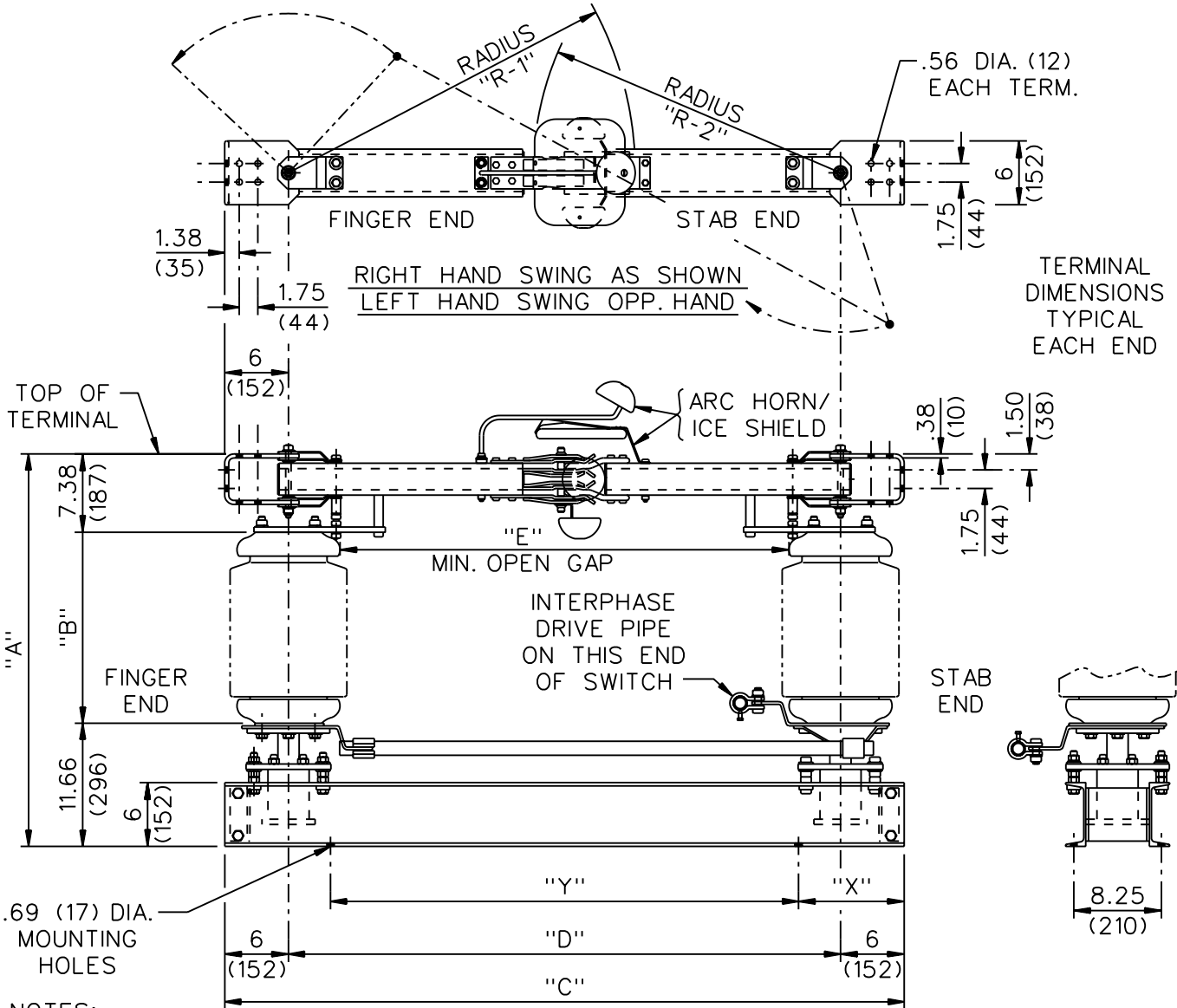


GROUP NO.	RATINGS					POST INSUL NEMA TR*	DIMENSIONS IN INCHES MILLIMETERS SHOWN IN ()						WEIGHT/POLE (INCL. INSUL.)		
	kV NOM.	kV MAX.	kV BIL	AMPS	kA MOM.		"A"	"B"	"C"	"D"	"E"	"R ₁ "	"R ₂ "	LBS	kg
G01	69	72.5	350	3000	120	278	49.04 (1246)	30.00 (762)	54.00 (1372)	42.00 (1067)	32.00 (813)	27.80 (706)	23.81 (605)	561	(255)
G02	115	123	550			286	64.04 (1627)	45.00 (1143)	72.00 (1829)	60.00 (1524)	50.00 (1270)	36.80 (935)	32.81 (833)	728	(331)
G03	138	145	650			288	73.04 (1855)	54.00 (1372)	82.00 (2083)	70.00 (1778)	60.00 (1524)	40.80 (1036)	36.81 (935)	814	(370)
G04	161	170	750			291	81.04 (2058)	62.00 (1575)	90.00 (2286)	78.00 (1981)	68.00 (1727)	45.80 (1163)	41.81 (1062)	1018	(462)



NOTES:

1. ALUMINUM BLADES, TIN PLATED COPPER TERMINALS.
2. INSULATORS INVERTED FOR UNDERHUNG MOUNTING.
3. ALL DIMENSIONS ARE IN INCHES.
4. DIMENSIONS IN () ARE IN mm.
5. WEIGHTS IN () ARE IN kg.
6. CUSTOMER TO SUPPLY "X" AND "Y" DIMENSIONS.

CODE
A
00

Cleveland / Price Inc. 1400 RT. 993 Trafford, PA 15085-9550

DISTRIB 001 DATE 10/01/2001 REV. B

**CB-A ALUMINUM CENTER BREAK DISCONNECT SWITCH
69kV, THRU 161kV, 3000A WITH 5" B.C. INSULATORS**

DRAWN LAB CHECKED DP

DRAWING No. **C26A031**