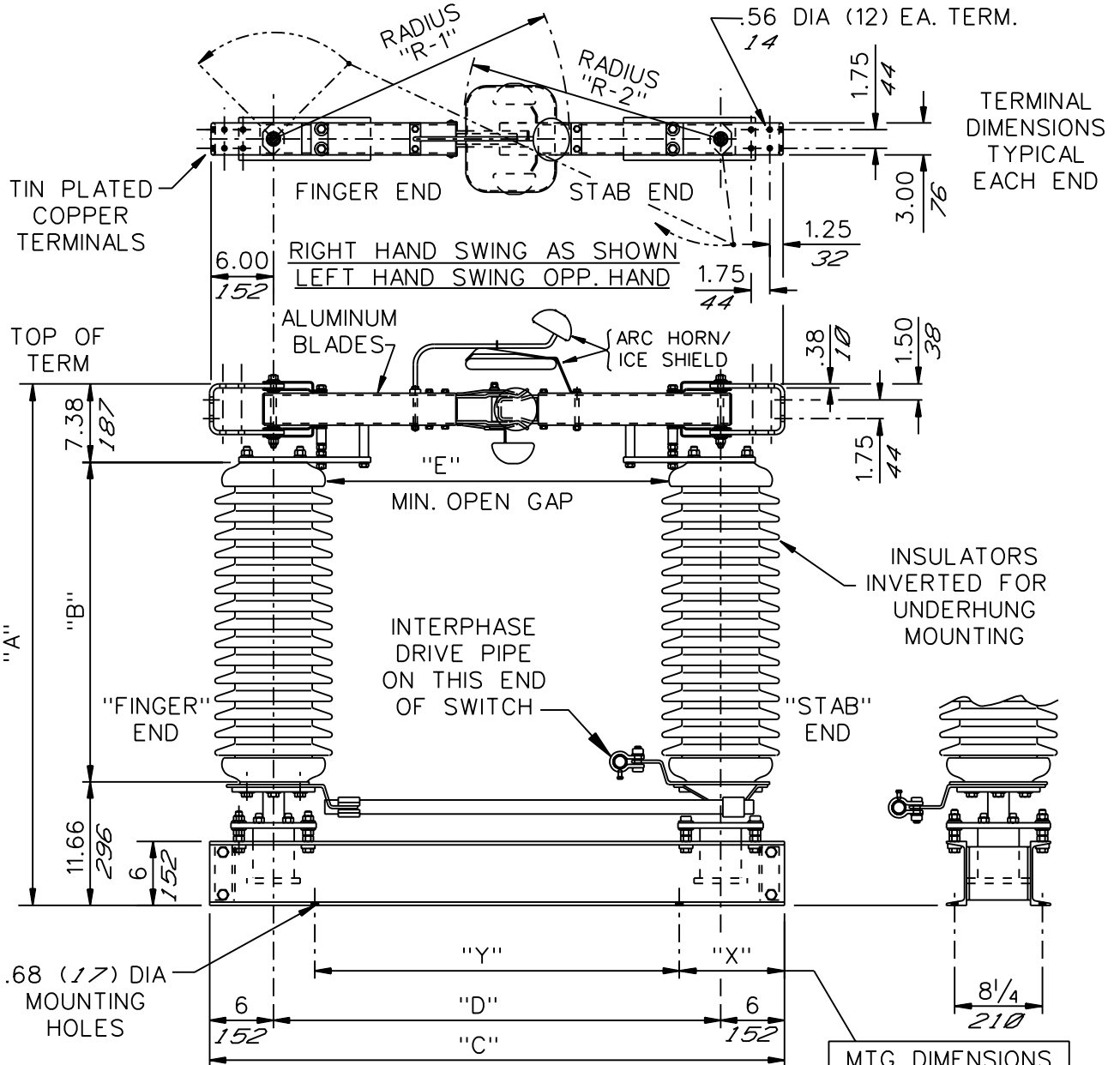


GROUP NO.	RATINGS					POST INSUL NEMA TR*	DIMENSIONS IN INCHES <i>MILLIMETERS SHOWN IN ITALICS</i>						WEIGHT/POLE (INCL. INSUL.)		
	kV NOM.	kV MAX.	kV BIL	AMPS	KA MOM.		"A"	"B"	"C"	"D"	"E"	"R ₁ "	"R ₂ "	LBS	KG
	G01	69	72.5	350	1200		61	278	49.04 <i>1246</i>	30.00 <i>762</i>	54.00 <i>1372</i>	42.00 <i>1067</i>	32.00 <i>813</i>	27.80 <i>706</i>	23.81 <i>605</i>
G02	115	123	550	286		64.04 <i>1627</i>		45.00 <i>1143</i>	72.00 <i>1829</i>	60.00 <i>1524</i>	50.00 <i>1270</i>	36.80 <i>935</i>	32.81 <i>833</i>	675	<i>306</i>
G03	138	145	650	288		73.04 <i>1855</i>		54.00 <i>1372</i>	82.00 <i>2083</i>	70.00 <i>1778</i>	60.00 <i>1524</i>	40.80 <i>1036</i>	36.81 <i>935</i>	758	<i>344</i>
G04	161	170	750	291		81.04 <i>2058</i>		62.00 <i>1575</i>	90.00 <i>2286</i>	78.00 <i>1981</i>	68.00 <i>1727</i>	45.80 <i>1163</i>	41.81 <i>1062</i>	957	<i>434</i>



NOTES:

1. ALL DIMENSIONS ARE IN INCHES.
2. DIMENSIONS IN *ITALICS* ARE IN MM
3. WEIGHTS IN *ITALICS* ARE IN KG

MTG. DIMENSIONS
"X" AND "Y"
TO BE FURNISHED
BY CUSTOMER

CODE
A
00

Cleaveland / Price Inc. 1400 RT. 993 Trafford, PA 15085-9550

DISTRIB. 001 DATE 07-29-99

REV. F

**CB-A ALUMINUM CENTER BREAK DISCONNECT SWITCH
69kV, THRU 161kV, 1200A, WITH 5" B.C. INSULATORS**

DRAWN
GH
CHECKED
SF

DRAWING No.
C26A028