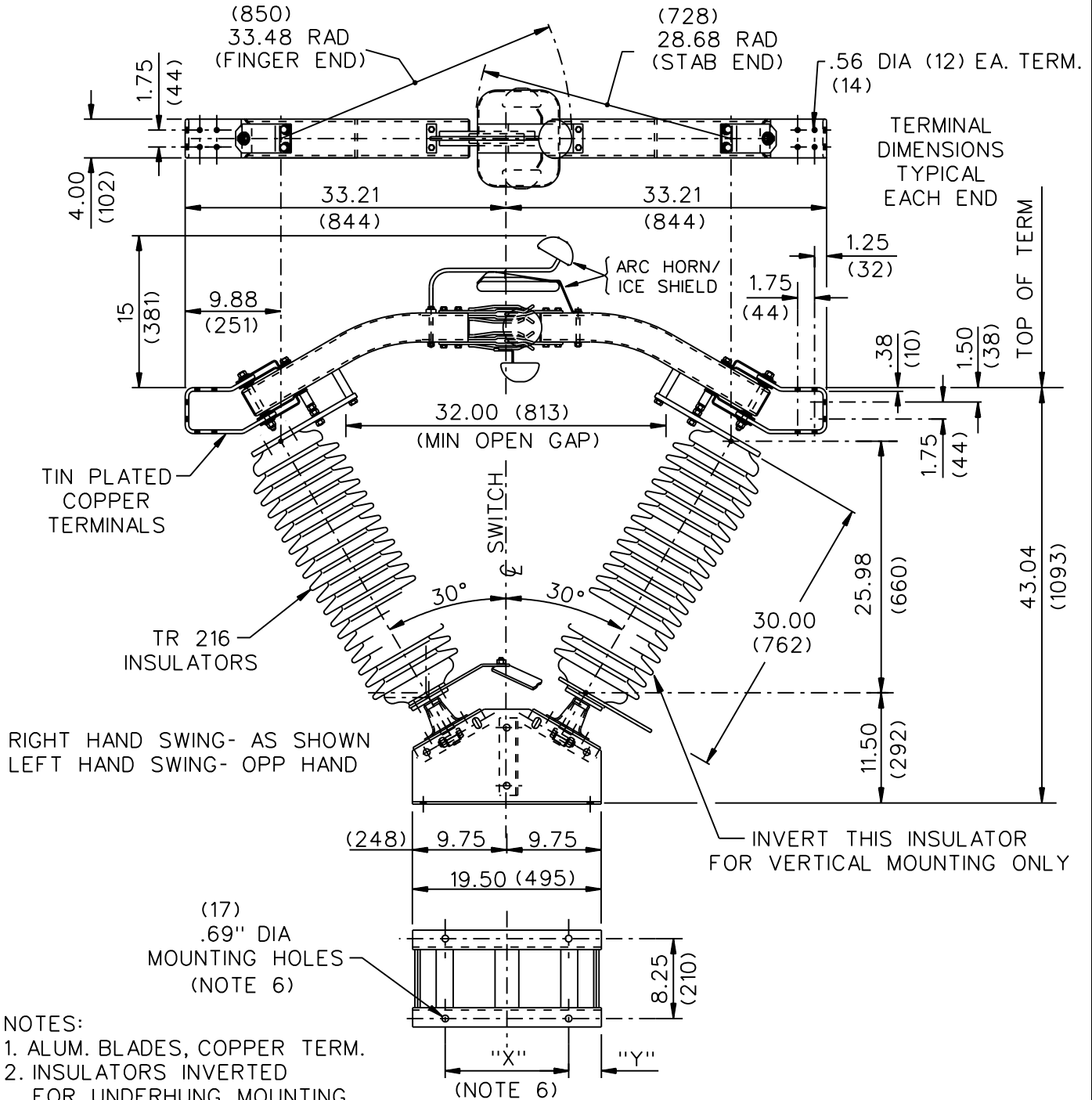


GROUP NO.	RATINGS					WEIGHT/POLE (INCL. INSUL.)	
	kV NOM.	kV MAX.	kV BIL	AMPS	kA MOM.	LBS	KG
	G01	69	72.5	350	2000		



- NOTES:
1. ALUM. BLADES, COPPER TERM.
 2. INSULATORS INVERTED FOR UNDERHUNG MOUNTING.
 3. ALL DIMENSIONS ARE IN INCHES.
 4. DIMENSIONS IN () ARE IN mm
 5. WEIGHTS IN () ARE IN kg
 6. CUSTOMER TO FURNISH "X" AND "Y" DIMENSIONS

CODE
A
00

Cleaveland / Price Inc. 14000 RT. 993 Trafford, PA 15085-9550

DISTRIB. 001 DATE 08-23-02

REV. A

**CB-AV ALUMINUM CENTER BREAK VEE DISCONNECT SWITCH
69kV, 2000A, WITH 3" B.C. INSULATORS**

DRAWN GH
CHECKED SF

DRAWING No. **C26A020**