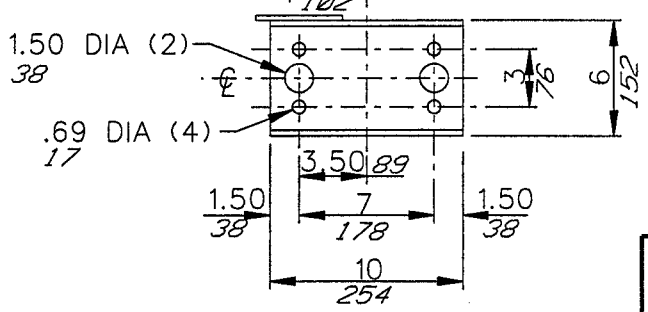
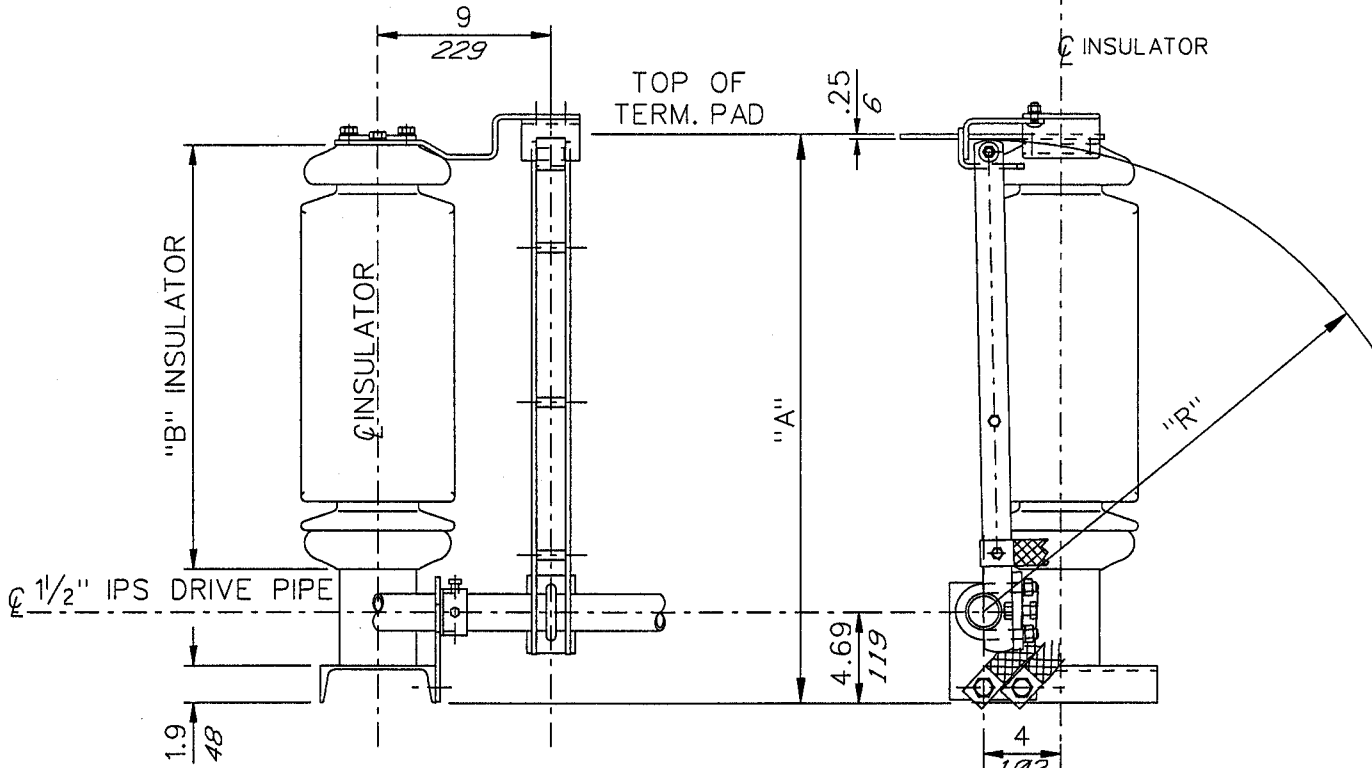
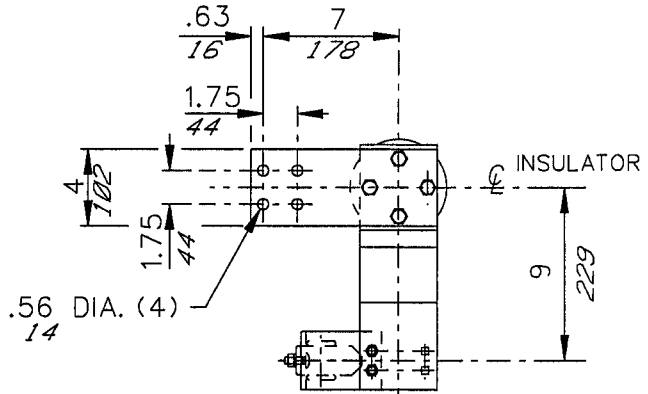


GROUP NO.	RATINGS				POST INSUL NEMA TR*	DIMENSIONS IN INCHES <i>MILLIMETERS SHOWN IN ITALICS</i>			WEIGHT/POLE (INCL. INSUL.)	
	kA MOM.	kV NOM.	kV MAX.	kV BIL		"A"	"B"	"R"	LBS	KG
	C14A051G01	40	46	48.3		250	214	29.43	22	24.43
C14A051G02	70	<i>748</i>			<i>559</i>			<i>621</i>	87	<i>39.5</i>
C14A051G03	40	69	72.5	350	216	37.43	30	32.43	115	<i>52.2</i>
C14A051G04	70					<i>951</i>	<i>762</i>	<i>824</i>	118	<i>53.6</i>



NOTES:
 1. ALL DIMENSIONS ARE IN INCHES.
 2. DIMENSIONS IN *ITALICS* ARE IN *MM.*
 3. WEIGHTS IN *ITALICS* ARE IN *KG.*

CODE
A
00

Cleveland / Price Inc. 1400 RT. 993 Trafford, PA 15085-9550

DISTRIB. 001 DATE MAR 11, 1999 REV. -

GND-C COPPER GROUND SWITCH
46kV & 69kV, 40kA & 70kA MOMENTARY

DRAWN DP
 CHECKED MJG

DRAWING No.
C14A051