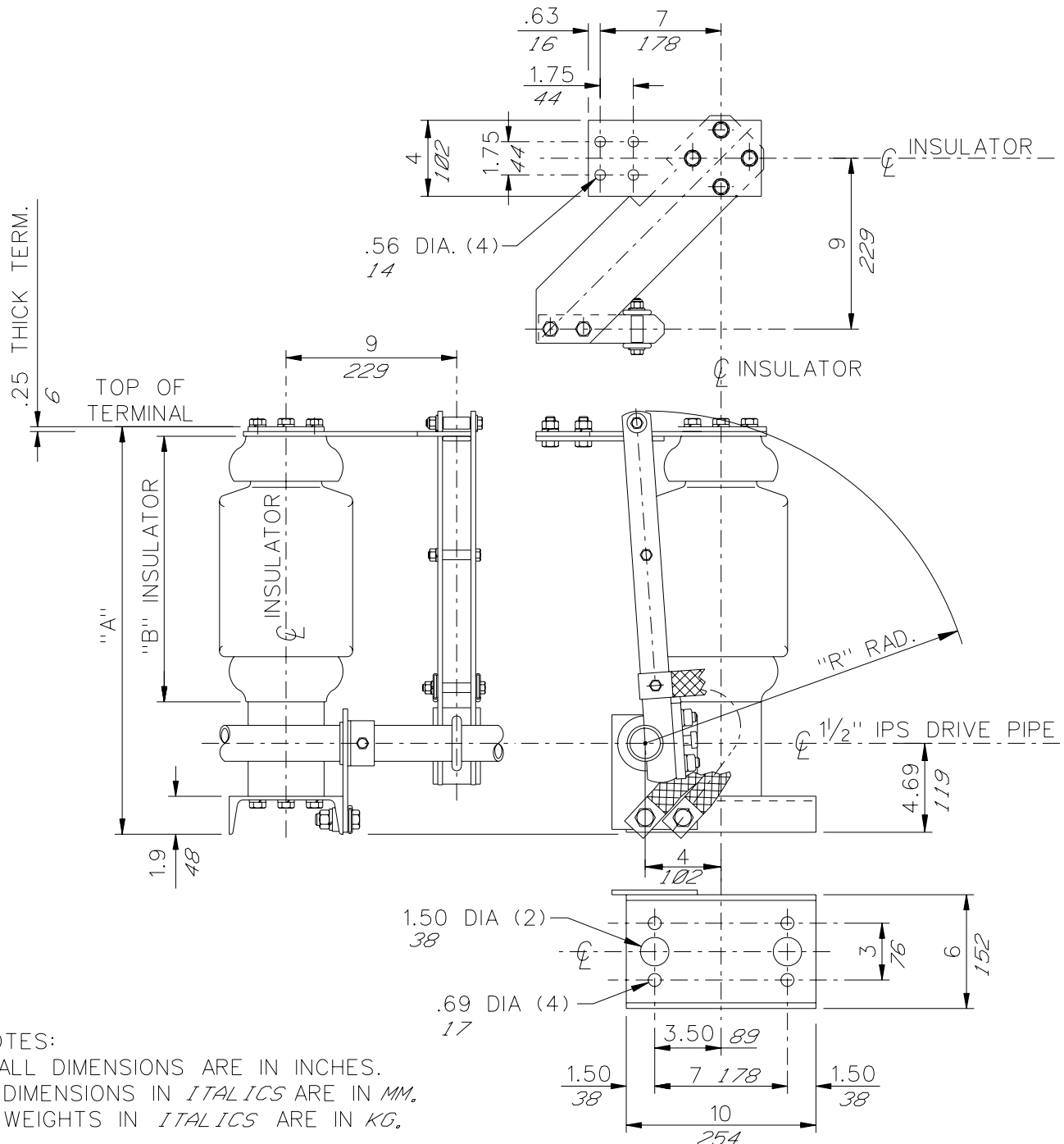


GROUP NO.	RATINGS				POST INSUL NEMA TR#	DIMENSIONS IN INCHES <i>MILLIMETERS SHOWN IN ITALICS</i>			WEIGHT/POLE (INCL. INSUL.)	
	kA MOM.	kV NOM.	kV MAX.	kV BIL		"A"	"B"	"R"	LBS	KG
	C14A050G01	40	7.2	8.3		95	202	14.93	7.5	11.06
C14A050G02	70	<i>379</i>			<i>190</i>			<i>281</i>	44	<i>20.0</i>
C14A050G03	40	14.4	15.5	110	205	17.43	10	13.56	47	<i>21.3</i>
C14A050G04	70					<i>443</i>	<i>254</i>	<i>344</i>	49	<i>22.2</i>
C14A050G05	40	23	27	150	208	21.43	14	17.56	62	<i>28.1</i>
C14A050G06	70					<i>544</i>	<i>356</i>	<i>446</i>	64	<i>29.1</i>
C14A050G07	40	34.5	38	200	210	25.43	18	21.56	73	<i>33.1</i>
C14A050G08	70					<i>646</i>	<i>457</i>	<i>548</i>	75	<i>34.1</i>



NOTES:
 1. ALL DIMENSIONS ARE IN INCHES.
 2. DIMENSIONS IN *ITALICS* ARE IN MM.
 3. WEIGHTS IN *ITALICS* ARE IN KG.

Cleveland / Price Inc. 14000 RT. 993 Trafford, PA 15085-9550

DISTRIB. 001 DATE 01-20-98 REV. A

GND-C COPPER GROUND SWITCH POLE UNIT OUTLINE
 7.2kV THRU 34.5kV, 40kA, AND 70kA MOMENTARY

DRAWN GH
 CHECKED SF

DRAWING No. **C14A050**

CODE
 A
 00