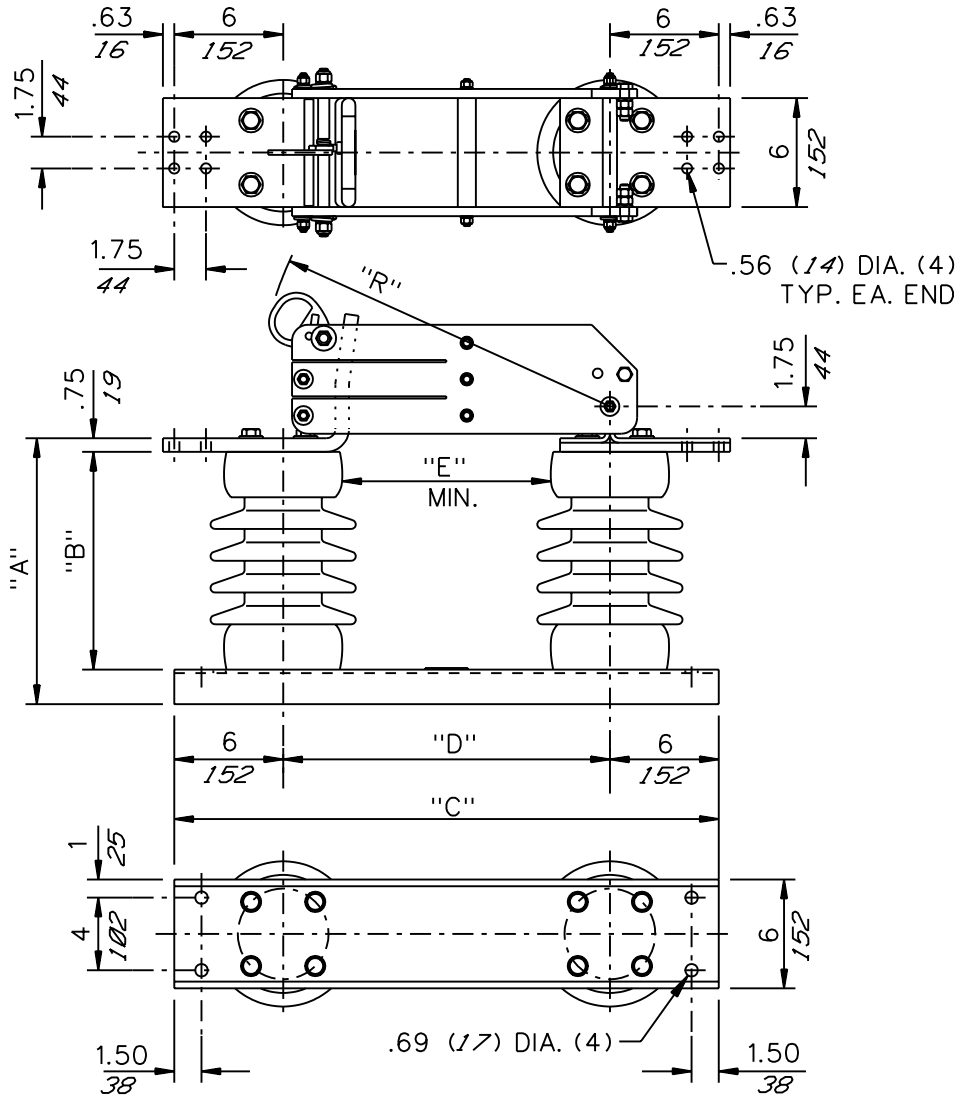


| GROUP NO. | RATINGS | | | | | POST INSUL NEMA TR* | DIMENSIONS IN INCHES <i>MILLIMETERS SHOWN IN ITALICS</i> | | | | | | WEIGHT/POLE (INCL. INSUL.) | |
|-----------|---------|---------|--------|------|---------|---------------------|---|------------------|---------------------|------------------|------------------|---------------------|----------------------------|---------------------|
| | kV NOM. | kV MAX. | kV BIL | AMPS | kA MOM. | | "A" | "B" | "C" | "D" | "E" | "R" | LBS | KG |
| | G01 | 7.2 | 8.3 | 95 | 4000 | | 120 | 222 | 12.65 <i>321</i> | 10 <i>254</i> | 30 <i>762</i> | 18 <i>457</i> | 7 <i>178</i> | 19.38 <i>492</i> |
| G02 | 14.4 | 15.5 | 110 | 4000 | 120 | 225 | 14.65 <i>372</i> | 12 <i>305</i> | 30 <i>762</i> | 18 <i>457</i> | 10 <i>254</i> | 19.38 <i>492</i> | 190 | <i>83.3</i> |
| G03 | 23 | 27 | 150 | 4000 | 120 | 227 | 17.65 <i>448</i> | 15 <i>381</i> | 39 <i>991</i> | 27 <i>686</i> | 12 <i>305</i> | 28 <i>711</i> | 222 | <i>100.8</i> |
| G04 | 34.5 | 38 | 200 | 4000 | 120 | 231 | 22.65 <i>575</i> | 20 <i>508</i> | 39 <i>991</i> | 27 <i>686</i> | 18 <i>457</i> | 28 <i>711</i> | 268 | <i>121.7</i> |



NOTES:

1. INSULATORS INVERTED FOR UNDERHUNG MOUNTING.
2. ALL DIMENSIONS ARE IN INCHES.
3. DIMENSIONS IN *ITALIC* ARE IN *MM*
4. WEIGHTS IN *ITALIC* ARE IN *KG*

CODE
A
00

Cleveland / Price Inc. 1400 RT. 993 Trafford, PA 15085-9550

DATE
08-01-90

REV.
D

**LCO-C COPPER HOOKSTICK OPERATED DISCONNECT SWITCH
7.2kV-34.5kV; 4000A; WITH 5" B.C. INSULATORS**

DRAWN
JKA
CHECKED
PMK

DRAWING No.

C102A258