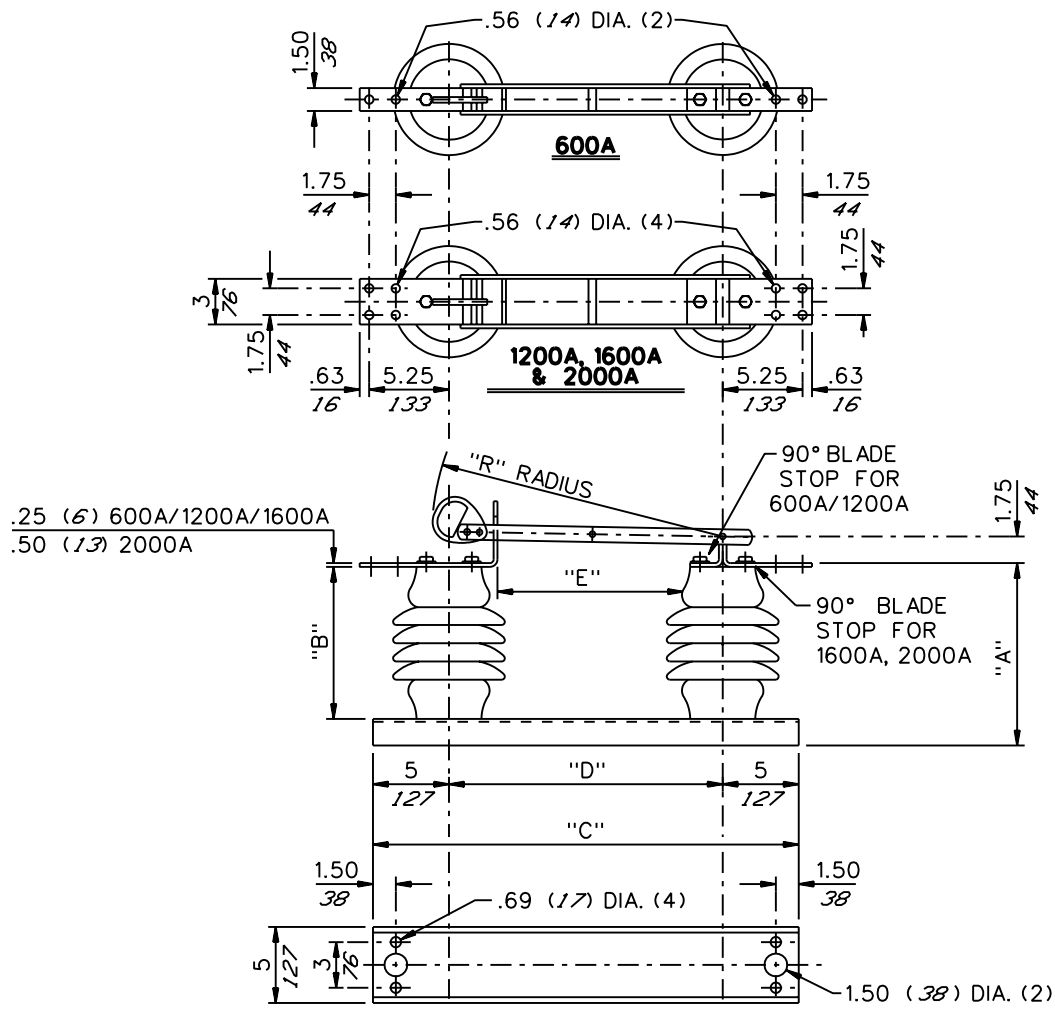


GROUP NO.	RATINGS					POST INSUL NEMA TR*	DIMENSIONS IN INCHES <i>MILLIMETERS SHOWN IN ITALICS</i>						WEIGHT/POLE (INCL. INSUL.)	
	kV NOM.	kV MAX.	kV BIL	AMPS	kA MOM.		"A"	"B"	"C"	"D"	"E"	"R"	LBS	KG
	G01 G02 G03	7.2	8.3	95	600 1200 2000		40 61 100	202	9.50 <i>241</i>	7.50 <i>191</i>	25 <i>635</i>	15 <i>381</i>	7 <i>178</i>	17 <i>432</i>
G04 G05 G06	14.4	15.5	110	600 1200 2000	40 61 100	205	12 <i>305</i>	10 <i>254</i>	25 <i>635</i>	15 <i>381</i>	10 <i>254</i>	17 <i>432</i>	59 66 74	<i>26.8</i> <i>30.0</i> <i>33.6</i>
G07 G08 G09	23	27	150	600 1200 2000	40 61 100	208	16 <i>406</i>	14 <i>356</i>	28 <i>711</i>	18 <i>457</i>	12 <i>305</i>	20 <i>508</i>	84 88 94	<i>38.1</i> <i>40.0</i> <i>42.7</i>
G10 G11 G12	34.5	38	200	600 1200 2000	40 61 100	210	20 <i>508</i>	18 <i>457</i>	34 <i>864</i>	24 <i>610</i>	18 <i>457</i>	26 <i>660</i>	103 106 117	<i>46.8</i> <i>48.1</i> <i>53.1</i>
G13	7.2	8.3	95	1600	70	202	9.50 <i>241</i>	7.50 <i>191</i>	25 <i>635</i>	15 <i>381</i>	7 <i>178</i>	17 <i>432</i>	58	<i>26.4</i>
G14	14.4	15.5	110	1600	70	205	12 <i>305</i>	10 <i>254</i>	25 <i>635</i>	15 <i>381</i>	10 <i>254</i>	17 <i>432</i>	71	<i>32.3</i>
G15	23	27	150	1600	70	208	16 <i>406</i>	14 <i>356</i>	28 <i>711</i>	18 <i>457</i>	12 <i>305</i>	20 <i>508</i>	92	<i>41.8</i>
G16	34.5	38	200	1600	70	210	20 <i>508</i>	18 <i>457</i>	34 <i>864</i>	24 <i>610</i>	18 <i>457</i>	26 <i>660</i>	114	<i>51.8</i>



- NOTES:
1. INSULATORS INVERTED FOR UNDERHUNG MOUNTING.
 2. ALL DIMENSION ARE IN INCHES.
 3. DIMENSIONS IN *ITALIC* ARE IN *MM*.
 4. WEIGHTS IN *ITALIC* ARE IN *KG*.

CODE
A
00

Cleaveland / Price Inc. 1400 RT. 993 Trafford, PA 15085-9550

DATE
04/15/89

REV.
G

**LCO-C COPPER HOOKSTICK OPERATED DISCONNECT SWITCH
7.2kV-34.5kV; 600A-2000A; 3" B.C. INSULS; 5" CHANNEL BASE**

DRAWN
GH
CHECKED
SF

DRAWING No.
C102A230