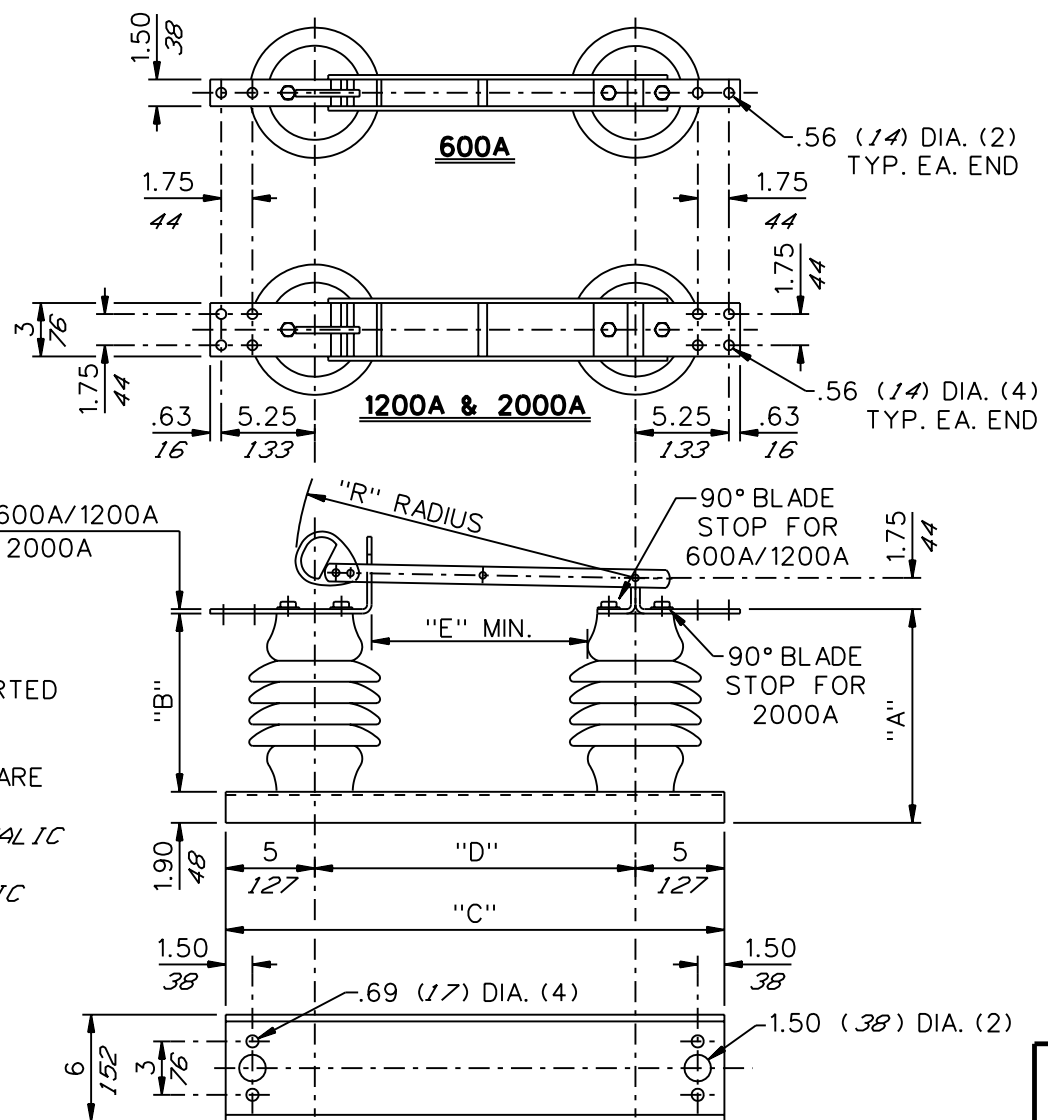


GROUP NO.	RATINGS					POST INSUL NEMA TR*	DIMENSIONS IN INCHES <i>MILLIMETERS SHOWN IN ITALICS</i>						WEIGHT/POLE (INCL. INSUL.)						
	kV NOM.	kV MAX.	kV BIL	AMPS	kA MOM.		"A"	"B"	"C"	"D"	"E"	"R"	LBS	KG					
G01	7.2	8.3	95	600	40	202	9.65	7.50	25	15	7	17	50	22.7					
G02				1200	61		<i>245</i>						<i>191</i>	<i>635</i>	<i>381</i>	<i>178</i>	<i>432</i>	57	25.9
G03				2000	100		<i>9.90</i>						<i>251</i>					64	29.1
G04	14.4	15.5	110	600	40	205	12.15	10	25	15	10	17	62	28.1					
G05				1200	61		<i>308</i>						<i>254</i>	<i>635</i>	<i>381</i>	<i>254</i>	<i>432</i>	69	31.3
G06				2000	100		<i>12.40</i>						<i>315</i>					77	35.0
G07	23	27	150	600	40	208	16.15	14	28	18	12	20	92	41.8					
G08				1200	61		<i>410</i>						<i>356</i>	<i>711</i>	<i>457</i>	<i>305</i>	<i>508</i>	97	44.0
G09				2000	100		<i>16.40</i>						<i>417</i>					104	47.2
G10	34.5	38	200	600	40	210	20.15	18	34	24	18	26	107	48.6					
G11				1200	61		<i>512</i>						<i>457</i>	<i>864</i>	<i>610</i>	<i>457</i>	<i>660</i>	110	49.9
G12				2000	100		<i>20.40</i>						<i>518</i>					121	54.9
G13	46	48.3	250	600	40	214	24.15	22	40	30	22	32	166	75.3					
G14				1200	61		<i>613</i>						<i>559</i>	<i>1016</i>	<i>762</i>	<i>559</i>	<i>813</i>	172	78.0
G15				2000	100		<i>24.40</i>						<i>620</i>					182	82.6
G16	69	72.5	350	600	40	216	32.15	30	52	42	32	44	221	100.2					
G17				1200	61		<i>817</i>						<i>762</i>	<i>1321</i>	<i>1067</i>	<i>813</i>	<i>1118</i>	228	103.4
G18				2000	100		<i>32.40</i>						<i>823</i>					240	108.9



- NOTES:
1. INSULATORS INVERTED FOR UNDERHUNG MOUNTING.
 2. ALL DIMENSIONS ARE IN INCHES.
 3. DIMENSIONS IN *ITALIC* ARE IN *MM*
 4. WEIGHTS IN *ITALIC* ARE IN *KG*

CODE
A
00

Cleveland / Price Inc. 14000 RT. 993 Trafford, PA 15085-9550

DATE 09-30-87

REV. J

LCO-C COPPER HOOKSTICK OPERATED DISCONNECT SWITCH
7.2kV-69kV; 600A-2000A; 3" B.C. INSULS; 6" CHANNEL BASE

DRAWN
DMW
CHECKED
GH

DRAWING No.
C102A150