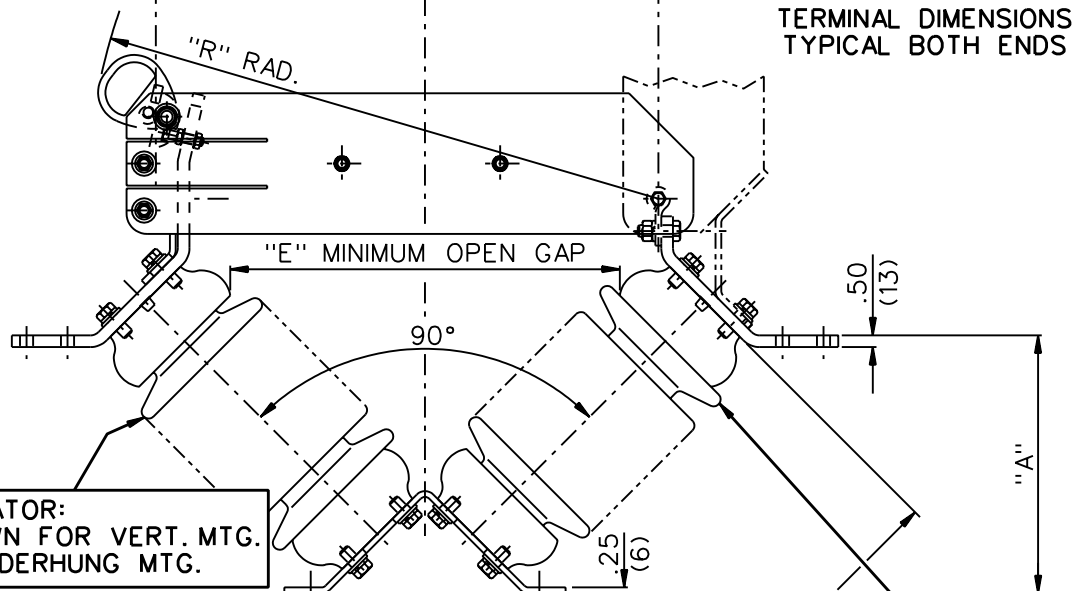
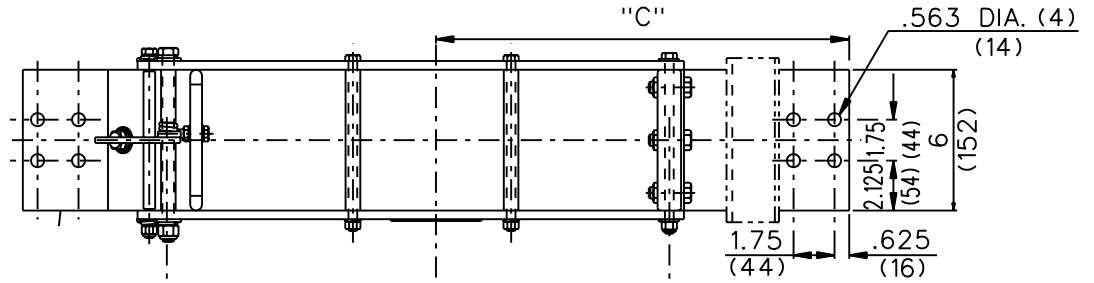


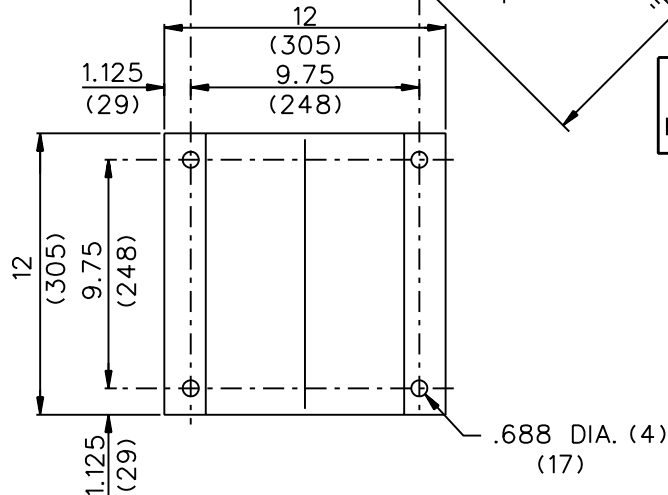
GROUP NO.	RATINGS					POST INSUL NEMA TR*	DIMENSIONS					WEIGHT/POLE (INCL. INSUL.)	
	kV NOM.	kV MAX.	kV BIL	AMPS	kA MOM.		"A"	"B"	"C"	"E"	"R"	LBS	KG
G01	7.2	8.3	95	3000	100	202	6.41 (163)	7.50 (191)	13.03 (331)	7 (178)	15.50 (394)	100	(45.4)
G02	14.4	15.5	110			205	8.17 (208)	10 (254)	14.80 (376)	10 (254)	18.94 (481)	119	(54)
G03	23	27	150			208	11 (279)	14 (356)	17.63 (448)	12 (305)	24.50 (622)	147	(66.7)
G04	34.5	38	200			210	13.83 (351)	18 (457)	20.45 (520)	18 (457)	30.14 (766)	177	(80.4)



INSTALL THIS INSULATOR:
 -UPRIGHT AS SHOWN FOR VERT. MTG.
 -INVERTED FOR UNDERHUNG MTG.

NOTES:

1. ALL DIMENSIONS ARE IN INCHES.
2. DIMENSIONS IN () ARE IN MM
3. WEIGHTS IN () ARE IN KG



THIS INSULATOR ALWAYS INSTALLED INVERTED AS SHOWN

CODE
A
00

Cleaveland / Price Inc. 1400 RT. 993 Trafford, PA 15085-9550

DATE
07-22-2003

REV.
B

**LCO-S COPPER HOOKSTICK OPERATED DISCONNECT SWITCH
 7.2-34.5kV, 3000A, WITH 3" B.C. INSULATORS**

DRAWN
TT
CHECKED
LAB

DRAWING No.
C08A011