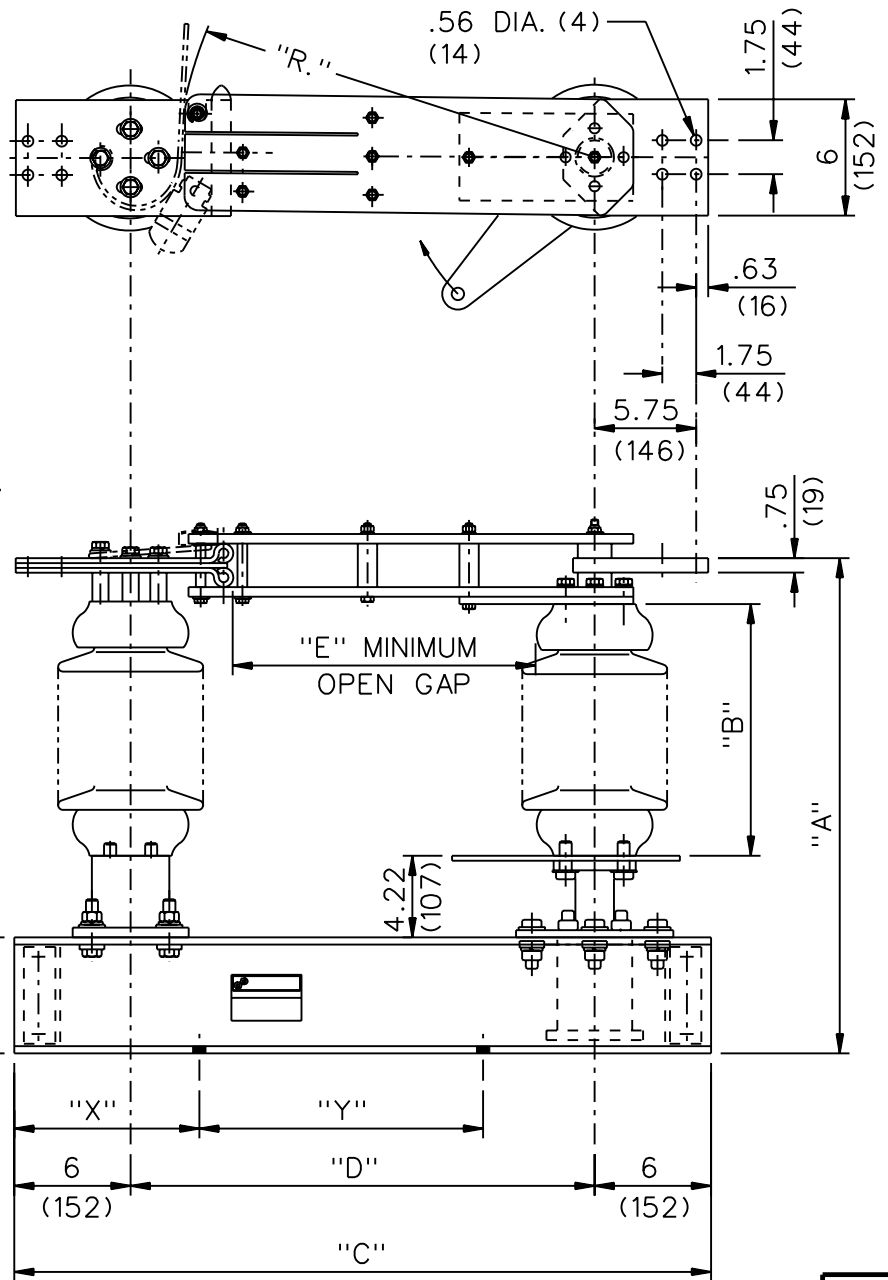


GROUP NO.	RATINGS					POST INSUL NEMA TR*	DIMENSIONS IN INCHES MILLIMETERS SHOWN IN ()						WEIGHT/POLE (INCL. INSUL.) LBS (KG)
	kV NOM.	kV MAX.	kV BIL	AMPS	kA MOM.		"A"	"B"	"C"	"D"	"E"	"R"	
G01	7.2	8.3	95	3000	70	202	20.13 (511)	7.5 (191)	35	23	7 (178)	22 7/8	215 (98)
G02	14.4	15.5	110		70	205	22.63(575)	10 (254)	(889)	(584)	12 (305)	(581)	230 (104)
G03	23	27	150		70	208	26.63(676)	14 (356)	41	29	15 (381)	28 3/4	270 (122)
G04	34.5	38	200		70	210	30.63(778)	18 (457)	(1041)	(737)	18 (457)	(730)	290 (132)

TYPICAL TERMINAL DIMS.
FOR BOTH SIDES

NOTES:

1. INSULATORS INVERTED FOR UNDERHUNG MOUNTING.
2. CUSTOMER TO SUPPLY "X" & "Y" DIMENSIONS
3. ALL DIMENSIONS ARE IN INCHES.
4. DIMENSIONS IN () ARE IN MM.
5. WEIGHTS IN () ARE IN KG.



CODE
A
00

Cleaveland / Price Inc. 1400 RT. 993 Trafford, PA 15085-9550

DIST. CFG DATE 06-18-03 REV. A

**RL-C COPPER SIDE BREAK DISCONNECT SWITCH
7.2kV-34.5 kV; 3000A; WITH 3" B.C. INSULATORS**

DRAWN MD
CHECKED LAB

DRAWING No.
C04A582