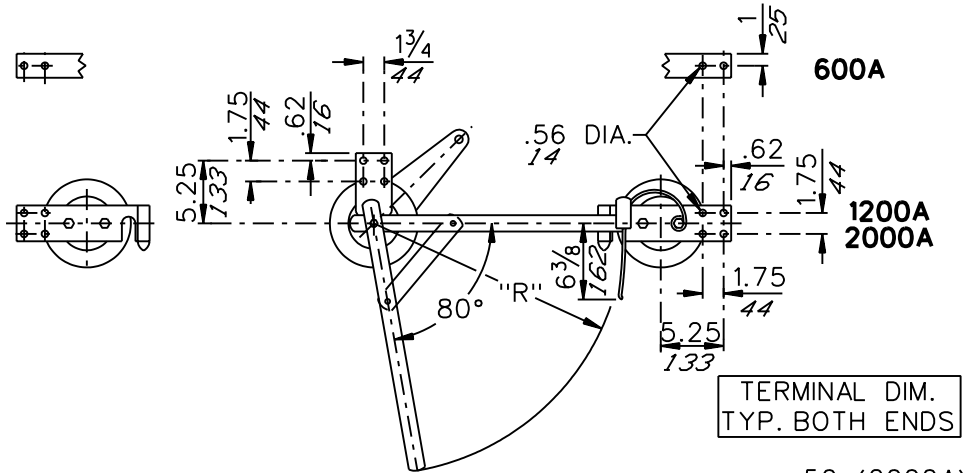


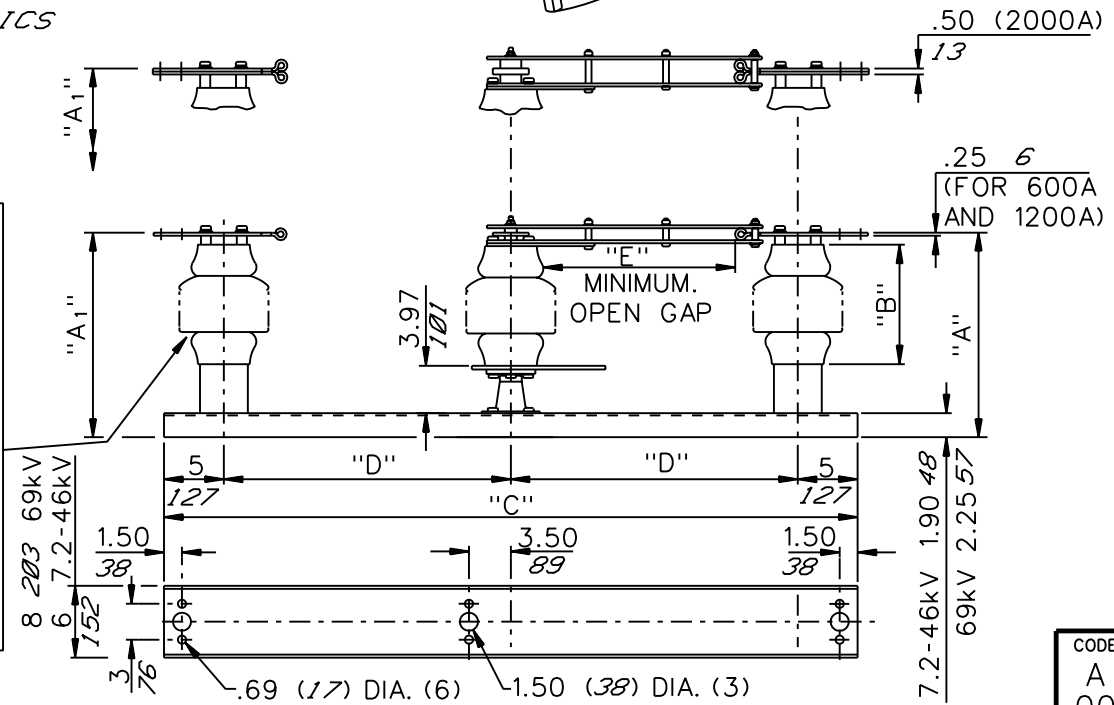
GROUP NO.	RATINGS					POST INSUL NEMA TR*	DIMENSIONS IN INCHES MILLIMETERS SHOWN IN ITALICS								WEIGHT/POLE (INCL. INSUL.)	
	kV NOM.	kV MAX.	kV BIL	AMPS	kA MOM.		"A"	"A <sub>1</sub> "	"B"	"C"	"D"	"E"	"R"	LBS	KG	
	G01				600		40		14.62	14.87	7.5	46	18	7	15	104
G02	7.2	8.3	95	1200	61	202	<i>371</i>	<i>378</i>	<i>191</i>	<i>1168</i>	<i>457</i>	<i>178</i>	<i>381</i>	109	49.5	
G03				2000	70		<i>15.12</i>	<i>15.37</i>	<i>191</i>	<i>1168</i>	<i>457</i>	<i>178</i>	<i>381</i>	116	52.7	
G04				600	40		17.12	17.37	10	46	18	10	15	120	54.5	
G05	14.4	15.5	110	1200	61	205	<i>435</i>	<i>441</i>	<i>254</i>	<i>1168</i>	<i>457</i>	<i>254</i>	<i>381</i>	125	56.8	
G06				2000	70		<i>17.62</i>	<i>17.87</i>	<i>254</i>	<i>1168</i>	<i>457</i>	<i>254</i>	<i>381</i>	132	59.9	
G07				600	40		21.12	21.37	14	52	21	12	18	176	79.9	
G08	23	27	150	1200	61	208	<i>536</i>	<i>543</i>	<i>356</i>	<i>1321</i>	<i>533</i>	<i>305</i>	<i>457</i>	181	82.2	
G09				2000	70		<i>21.62</i>	<i>21.87</i>	<i>356</i>	<i>1321</i>	<i>533</i>	<i>305</i>	<i>457</i>	188	85.4	
G10				600	40		25.12	25.37	18	62	26	18	23	186	84.4	
G11	34.5	38	200	1200	61	210	<i>638</i>	<i>644</i>	<i>457</i>	<i>1575</i>	<i>660</i>	<i>457</i>	<i>584</i>	191	86.7	
G12				2000	70		<i>25.62</i>	<i>25.87</i>	<i>457</i>	<i>1575</i>	<i>660</i>	<i>457</i>	<i>584</i>	198	89.9	
G13				600	40		29.12	29.37	22	72	31	22	28	267	121.2	
G14	46	48.3	250	1200	61	214	<i>740</i>	<i>746</i>	<i>559</i>	<i>1829</i>	<i>787</i>	<i>559</i>	<i>711</i>	277	125.8	
G15				2000	70		<i>29.62</i>	<i>29.87</i>	<i>559</i>	<i>1829</i>	<i>787</i>	<i>559</i>	<i>711</i>	292	132.6	
G16				600	40		37.12	37.37	30	94	42	32	39	355	161.2	
G17	69	72.5	350	1200	61	216	<i>943</i>	<i>949</i>	<i>762</i>	<i>2388</i>	<i>1067</i>	<i>813</i>	<i>991</i>	363	164.8	
G18				2000	70		<i>37.97</i>	<i>38.72</i>	<i>762</i>	<i>2388</i>	<i>1067</i>	<i>813</i>	<i>991</i>	404	183.3	

NOTES:

1. INSULATORS INVERTED FOR UNDERHUNG MOUNTING.
2. ALL DIMENSIONS ARE IN INCHES.
3. DIMENSIONS IN *ITALICS* ARE IN *MM*.
4. WEIGHTS IN *ITALICS* ARE IN *KG*.



THIS INSULATOR MAY BE REPLACED WITH AN OPTIONAL GROUND POST. ADD SUFFIX "G" TO STYLE NO.



ENGINEERING REF DWG, C104B015

**Cleveland / Price Inc.** 1400 RT. 993 Trafford, PA 15085-9550

DATE 6-25-97

CODE  
A  
00

**RL-CD COPPER DOUBLE THROW SIDE BREAK DISCONNECT SWITCH  
7.2kV-69kV; 600A-2000A; WITH 3"B.C. INSULATORS**

DRAWN  
DP  
CHECKED  
MJG

DRAWING No.

**C04A515**