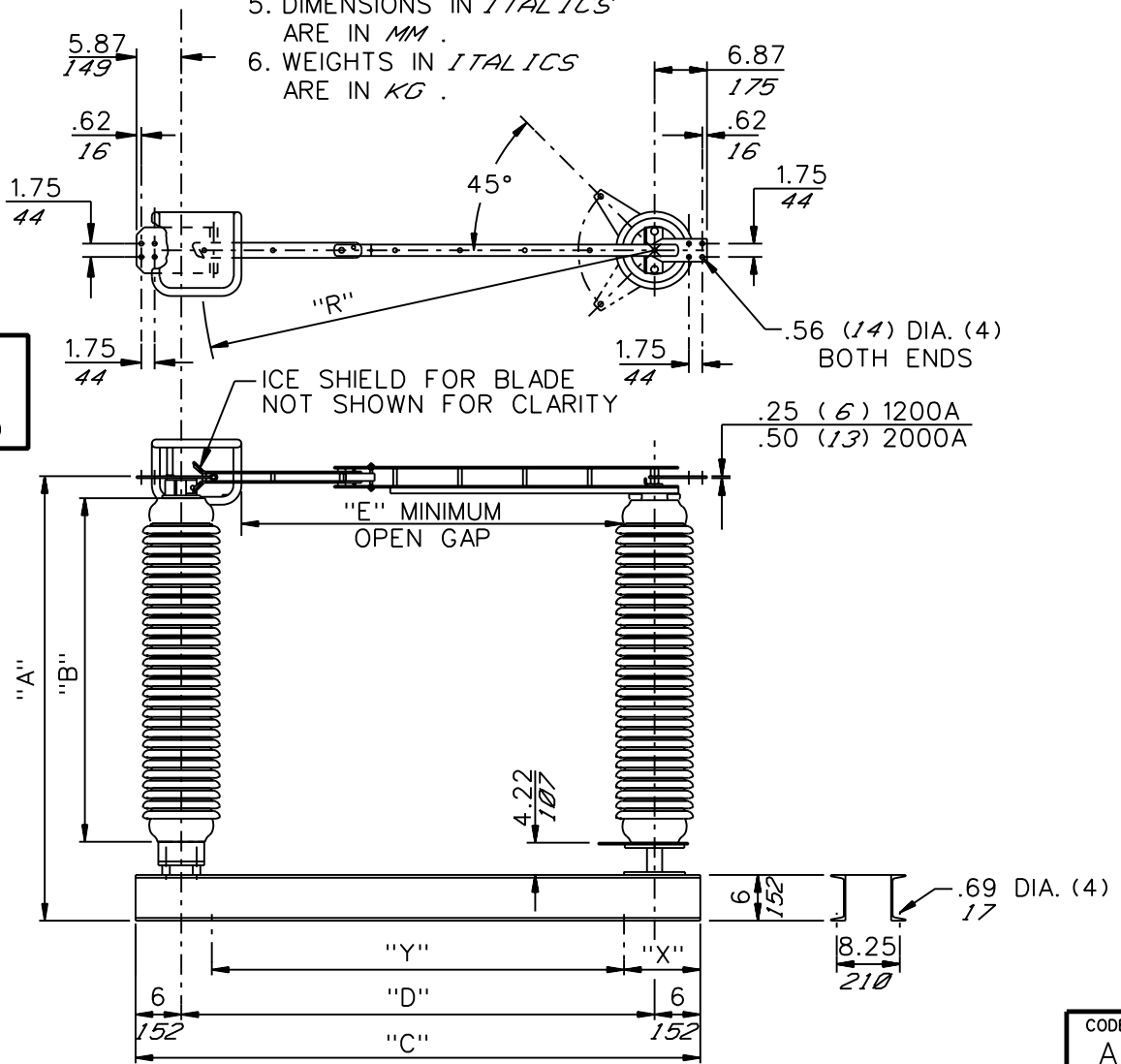


| GROUP NO. | RATINGS | | | | | POST INSUL NEMA TR* | DIMENSIONS IN INCHES MILLIMETERS SHOWN IN <i>ITALICS</i> | | | | | | WEIGHT/POLE (INCL. INSUL.) | |
|------------|---------|---------|--------|--------------|----------|---------------------|---|-------------------|-------------------|-------------------|-------------------|----------------------|----------------------------|------------------------------|
| | kV NOM. | kV MAX. | kV BIL | AMPS | kA MOM. | | "A" | "B" | "C" | "D" | "E" | "R" | LBS | KG |
| G01 G02 | 115 | 123 | 550 | 1200 2000 | 61 70 | 286 | 58.22 <i>1479</i> 58.85 <i>1495</i> | 45 <i>1143</i> | 74 <i>1880</i> | 62 <i>1575</i> | 50 <i>1270</i> | 62.13 <i>1578</i> | 601 631 | <i>272.9</i> <i>286.5</i> |
| G03 G04 | 138 | 145 | 650 | 1200 2000 | 61 70 | 288 | 67.22 <i>1707</i> 67.85 <i>1723</i> | 54 <i>1372</i> | 84 <i>2134</i> | 72 <i>1829</i> | 60 <i>1524</i> | 72.13 <i>1832</i> | 683 714 | <i>310.1</i> <i>324.2</i> |
| G05 | 115 | 123 | 550 | 1600 | 70 | 286 | 58.22 <i>1479</i> | 45 <i>1143</i> | 74 <i>1880</i> | 62 <i>1575</i> | 50 <i>1270</i> | 62.13 <i>1578</i> | 612 | <i>277.8</i> |
| G06 | 138 | 145 | 650 | 1600 | 70 | 288 | 67.22 <i>1707</i> | 54 <i>1372</i> | 84 <i>2134</i> | 72 <i>1829</i> | 60 <i>1524</i> | 72.13 <i>1832</i> | 698 | <i>316.9</i> |

NOTES:

1. LEFT HAND SWING SHOWN
RIGHT HAND SWING (OPP. HAND).
2. INSULATORS INVERTED FOR UNDERHUNG MOUNTING.
3. CUSTOMER TO SUPPLY "X" & "Y" DIMENSIONS
4. ALL DIMENSIONS ARE IN INCHES.
5. DIMENSIONS IN *ITALICS* ARE IN *MM*.
6. WEIGHTS IN *ITALICS* ARE IN *KG*.

ARCING REQUIREMENTS ARE ASSUMED BY ICE SHIELD



Cleaveland / Price Inc. 14000 RT. 993 Trafford, PA 15085-9550

DATE 05-06-91

CODE
A
00

REV.
F

RL-C COPPER SIDE BREAK DISCONNECT SWITCH
115kV AND 138kV; 1200A, 1600A, AND 2000A; WITH 5" B.C. INSULATORS

DRAWN
M J G
CHECKED
G B N

DRAWING No.
C04A020