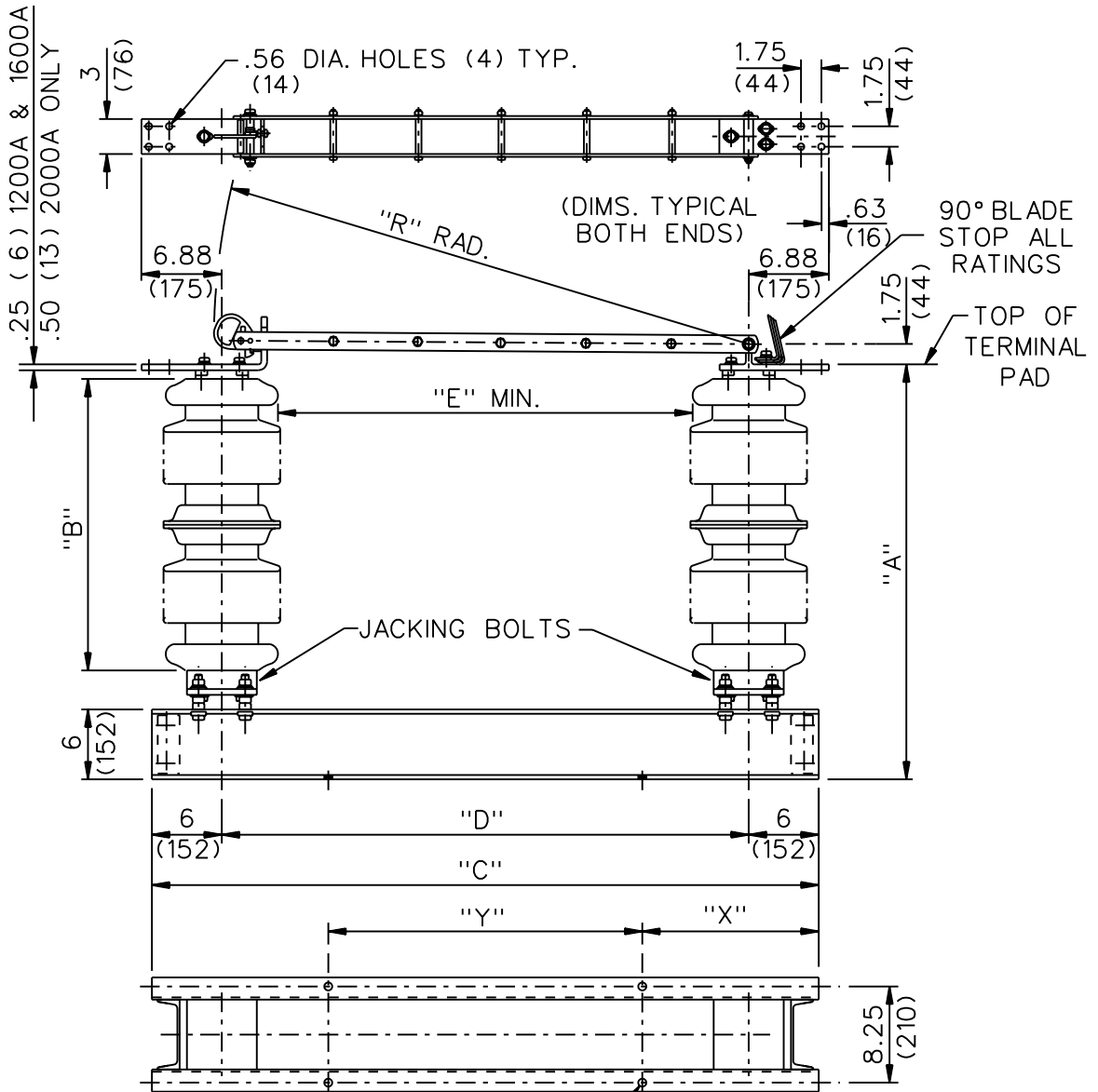


GROUP NO.	RATINGS					POST INSUL NEMA TR*	DIMENSIONS IN INCHES <i>MILLIMETERS SHOWN IN ITALICS</i>						WEIGHT/POLE (INCL. INSUL.)						
	kV NOM.	kV MAX.	kV BIL	AMPS	kA MOM.		"A"	"B"	"C"	"D"	"E"	"R"	LBS	KG					
G01	115	123	550	1200	61	286	55.34	45	72	60	50	61	586	(266.0)					
G02				1600	70		(1406)						(1143)	(1829)	(1524)	(1270)	(1549)	606	(275.1)
G03				2000	70		55.60 (1412)											616	(279.7)
G04	138	145	650	1200	61	288	64.34	54	84	72	60	73	668	(303.3)					
G05				1600	70		(1634)						(1372)	(2134)	(1829)	(1524)	(1854)	688	(312.4)
G06				2000	70		64.60 (1641)											700	(317.8)
G07	161	170	750	1200	61	291	72.34	62	90	78	68	79	739	(335.5)					
G08				1600	70		(1837)						(1575)	(2286)	(1981)	(1727)	(2007)	758	(344.1)
G09				2000	70		72.60 (1844)											772	(350.5)



NOTES:

1. INSULATORS INVERTED FOR UNDERHUNG MOUNTING.
2. ALL DIMENSION ARE IN INCHES.
3. DIMENSIONS IN () ARE IN MM.
4. WEIGHTS IN () ARE IN KG.
5. CUSTOMER TO SPECIFY "X" AND "Y" DIMENSIONS

.69 DIA. MTG. HOLES (4)
(17)

CODE
A
00

Cleaveland / Price Inc. 1400 RT. 993 Trafford, PA 15085-9550

DATE
08-02-94

REV.
C

LCO-C COPPER HOOKSTICK OPERATED DISCONNECT SWITCH
115kV-161kV; 1200A-2000A; 5" B.C. INSULS; DOUBLE CHANNEL BASE

DRAWN
SPF
CHECKED
GH

DRAWING No.
C02A010